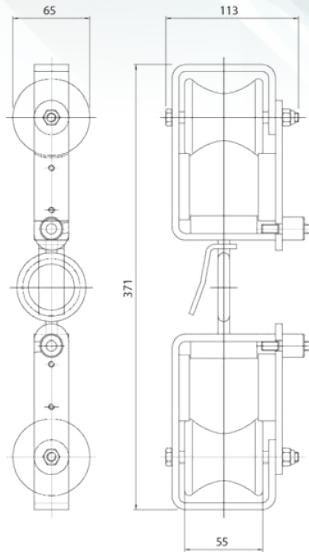


ABR Cradle Blocks Fiber Optic Cable Replacer



MOD. ABR021

This device is specifically designed for replacement of an existing ground wire (G.W.) with OPGW (Optical Grounding Wire). It is composed by two galvanized steel half frames linked by a ring with a swivel plate.

Each frame is fitted with:

- One grooved nylon roller with two ball bearings
- Three nylon plates for OPGW protection

One side of each frame is easily opened with a knurled nut. The frame is covered by nylon liners in order to prevent the OPGW from making contact with the steel components.

MOD. ABR045

Suitable for all types of rope or OPGW (Optical Grounding Wire). The roller is made of nylon and is mounted on a bearing wheel. The frame is made of galvanized steel. Internal surfaces are covered by nylon plates to prevent the cable from making contact with the steel components. One side of frame can be easily opened without tools by using the knurled nut. Adjustable locking system can be used on rope of different diameters.

MOD. ABR053

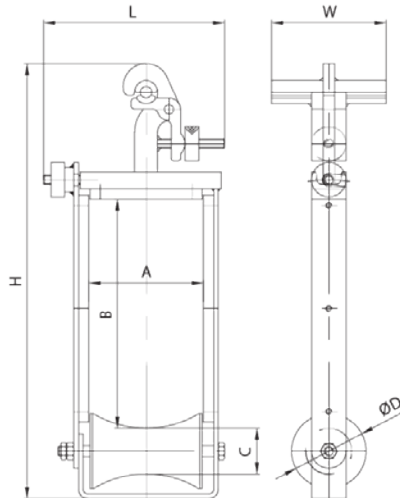
The device is suitable for all type of rope or OPGW (Optical Ground Wire). It is composed by two nylon rollers which avoid any contact between conductor and frame. Frame is made of aluminium alloy to save weight. One side of trolley can be easily opened by a knurled nut without tools. It is provided with adjustable locking system to be used on rope of different diameter.

PERFORMANCE

Working load	450 lbf (2 kN)
Breaking load	2,248 lbf (10 kN)

CHARACTERISTICS

Mass	4.0 lbs (1.8 kg)
------	------------------

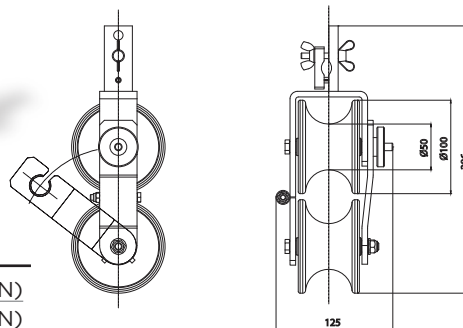


PERFORMANCE

Working load	450 lbf (2 kN)
Breaking load	2,248 lbf (10 kN)

CHARACTERISTICS

Mass	4.4 lbs (2 kg)
------	----------------



PERFORMANCE

Working load	225 lbf (1 kN)
Breaking load	1,125 lbf (5 kN)

CHARACTERISTICS

Mass	3.1 lbs (1.4 kg)
------	------------------