

TN-TGP001

Cable Cutters / Zoom Sag-Scope

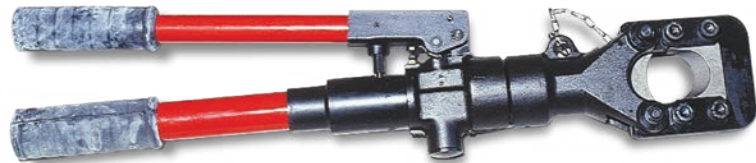
CABLE CUTTERS - TN

These devices are suitable for cutting ropes or conductors.

21005550



21005540

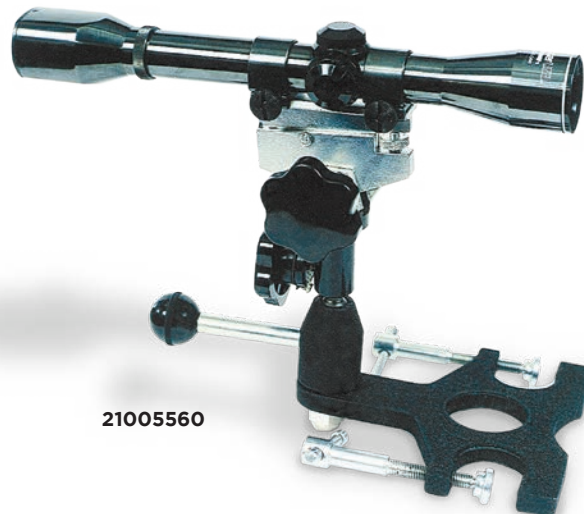


Model	Ø max steel ropes R = 1.8 kN/mm ²	Ø max conductors aluminum-steel / aluminum / copper	Type
	inches (mm)	inches (mm)	
21005550	0.4 (10)	1.2 (31)	Mechanical
TNI030	0.7 (18)	1.0 (25)	Hydraulic
21005540	0.7 (18)	1.6 (40)	Hydraulic

ZOOM SAG-SCOPE - TGP001

Suitable for accurate conductor sag measurements.

Equipped with a special anchoring support for steel tower.



21005560