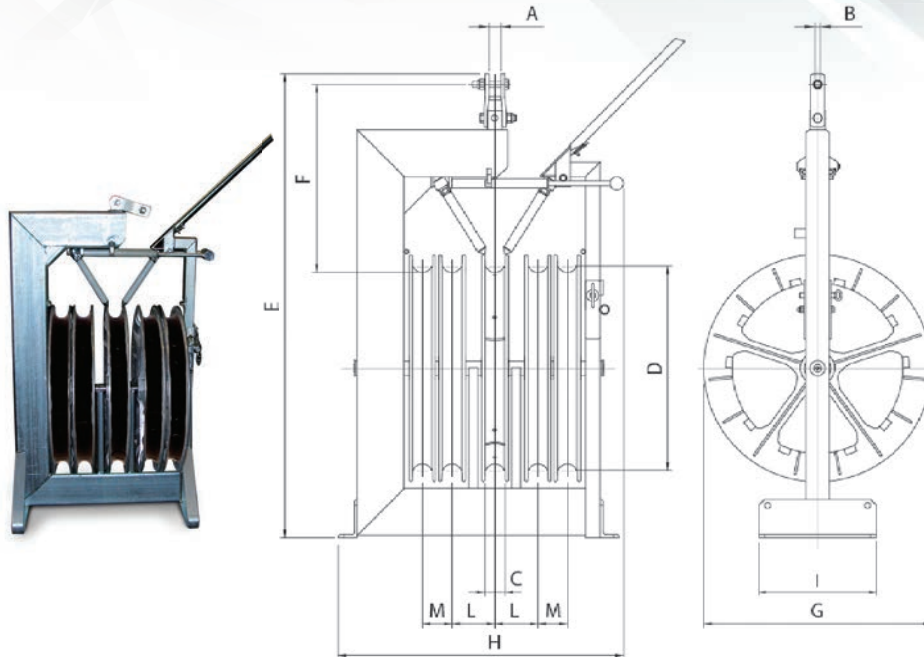


# CEQ-CAE Blocks for Helicopter Stringing



## FOUR BUNDLED CONDUCTORS HELICOPTER BLOCKS MOD. CEQ

These four bundled blocks are suitable for stringing the pilot rope by a helicopter. The pilot rope is automatically positioned in the (central) wheel. Special guides ensure the correct positioning of the rope during stringing operations. The wheels are made of aluminum alloy mounted on ball bearings; the lateral ones have the groove lined by neoprene ring; the central one has the groove made up of wear-proof interchangeable nylatron sectors. The frame is made of galvanized steel. The blocks are supplied with fixed connection.

**Grounding device or complete conductive sheaves are available upon request.**

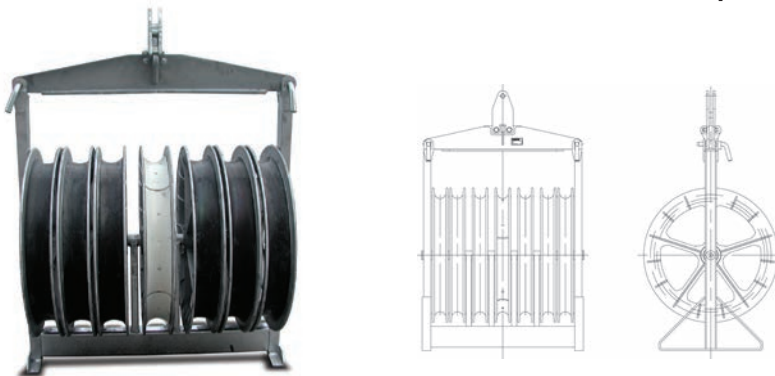
Model Nylatron	Dimensions inches (mm)											Breaking load lbf (kN)	Mass lbs (kg)
	A	B	C	D	E	F	G	H	I	L	M		
21003060	1 <sup>39</sup> / <sub>64</sub> (41)	2 <sup>5</sup> / <sub>32</sub> (20)	2 <sup>43</sup> / <sub>64</sub> (68)	2 <sup>5</sup> / <sub>64</sub> (650)	6 <sup>2</sup> / <sub>64</sub> (1,580)	2 <sup>5</sup> / <sub>64</sub> (641)	30 <sup>1</sup> / <sub>2</sub> (775)	3 <sup>5</sup> / <sub>2</sub> (906)	1 <sup>5</sup> / <sub>4</sub> (400)	5 <sup>4</sup> / <sub>64</sub> (145)	3 <sup>5</sup> / <sub>64</sub> (100)	13,488 (60)	502 (228)
21003062	1 <sup>39</sup> / <sub>64</sub> (41)	2 <sup>5</sup> / <sub>32</sub> (20)	3 <sup>4</sup> / <sub>64</sub> (95)	2 <sup>5</sup> / <sub>64</sub> (650)	6 <sup>3</sup> / <sub>32</sub> (1,625)	2 <sup>6</sup> / <sub>8</sub> (670)	30 <sup>1</sup> / <sub>2</sub> (775)	4 <sup>4</sup> / <sub>64</sub> (1,130)	1 <sup>5</sup> / <sub>4</sub> (400)	6 <sup>7</sup> / <sub>8</sub> (175)	5 <sup>1</sup> / <sub>64</sub> (130)	13,488 (60)	568 (258)
21003064	1 <sup>39</sup> / <sub>64</sub> (41)	2 <sup>5</sup> / <sub>32</sub> (20)	2 <sup>43</sup> / <sub>64</sub> (68)	3 <sup>1</sup> / <sub>64</sub> (800)	6 <sup>8</sup> / <sub>64</sub> (1,750)	2 <sup>6</sup> / <sub>8</sub> (670)	3 <sup>4</sup> / <sub>64</sub> (880)	3 <sup>5</sup> / <sub>16</sub> (910)	1 <sup>5</sup> / <sub>4</sub> (400)	5 <sup>4</sup> / <sub>64</sub> (145)	3 <sup>5</sup> / <sub>64</sub> (100)	13,488 (60)	551 (250)
21003066	1 <sup>39</sup> / <sub>64</sub> (41)	2 <sup>5</sup> / <sub>32</sub> (20)	3 <sup>4</sup> / <sub>64</sub> (95)	3 <sup>1</sup> / <sub>64</sub> (800)	6 <sup>8</sup> / <sub>64</sub> (1,750)	2 <sup>5</sup> / <sub>32</sub> (647)	3 <sup>5</sup> / <sub>32</sub> (893)	4 <sup>4</sup> / <sub>64</sub> (1,130)	1 <sup>5</sup> / <sub>4</sub> (400)	6 <sup>7</sup> / <sub>8</sub> (175)	5 <sup>1</sup> / <sub>64</sub> (130)	13,488 (60)	617 (280)
21003068*	1 <sup>39</sup> / <sub>64</sub> (41)	2 <sup>5</sup> / <sub>32</sub> (20)	3 <sup>4</sup> / <sub>64</sub> (95)	3 <sup>9</sup> / <sub>64</sub> (1,000)	7 <sup>6</sup> / <sub>64</sub> (1,945)	2 <sup>6</sup> / <sub>8</sub> (670)	4 <sup>3</sup> / <sub>64</sub> (1,100)	4 <sup>4</sup> / <sub>64</sub> (1,130)	1 <sup>5</sup> / <sub>4</sub> (400)	6 <sup>7</sup> / <sub>8</sub> (175)	5 <sup>1</sup> / <sub>64</sub> (130)	15,062 (67)	793 (360)

\*Lateral wheels with nylatron lining  
Sectors in IEEE, nylatron and aluminum, or solid aluminum wheels are available upon request

## SIX BUNDLED CONDUCTORS BLOCKS MOD. CAE

The blocks are suitable for stringing six bundled conductor lines. The wheels are made of aluminum alloy. Lateral ones are mounted on ball bearings with the groove lined by a neoprene ring. The central one is mounted on double-row ball bearings with grooves made from wear-proof interchangeable nylatron sectors. The frame is made of galvanized steel. The blocks are supplied with fixed connection.

**Grounding device or complete conductive sheaves are available upon request.**



Model Nylatron	Ø inches (mm)	Groove inches (mm)	Breaking load lbf (kN)	Mass lbs (kg)
CAE647	2 <sup>5</sup> / <sub>64</sub> (650)	2 <sup>4</sup> / <sub>64</sub> (68)	26,977 (120)	423 (192)
CAE637	2 <sup>5</sup> / <sub>64</sub> (650)	3 <sup>4</sup> / <sub>64</sub> (95)	40,466 (180)	529 (240)
CAE872	3 <sup>1</sup> / <sub>64</sub> (800)	3 <sup>4</sup> / <sub>64</sub> (95)	40,466 (180)	672 (305)

