

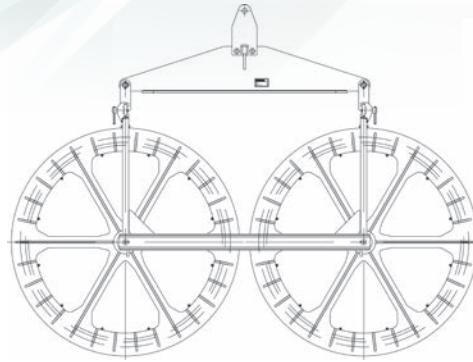
# CAM Tandem Blocks & RUS Pivoting Array Block

Special tandem blocks built with a steel galvanized yoke connecting two standard blocks. Two connecting rods ensure stability and control for the position of the wheels. Tandem solution increases the breaking load distributing forces on both blocks. Blocks can be detached and used as standard model. Wheels, sectors and yokes are fully interchangeable with standard model. Ground wire not included.

**Different versions are available upon request, even for helicopter applications.**



21003920



21003922 with MTX008

Model	Based on	Wheel Ø inches (mm)	Groove inches (mm)	Breaking load lbf (kN)	Mass lbs (kg)
21003910	CAS602XX	26 (650)	2 <sup>1</sup> / <sub>16</sub> (68)	40,466 (180)	159 (72)
21003912	CAT613	26 (650)	3 <sup>3</sup> / <sub>4</sub> (95)	40,466 (180)	639 (290)
21003914	CAT612	26 (650)	2 <sup>1</sup> / <sub>16</sub> (68)	47,210 (210)	595 (270)
21003916	CAS607	26 (650)	3 <sup>3</sup> / <sub>4</sub> (95)	40,466 (180)	192 (87)
21003918	CAS802	32 (800)	2 <sup>1</sup> / <sub>16</sub> (68)	40,466 (180)	203 (92)
21003920	CET803	32 (800)	3 <sup>3</sup> / <sub>4</sub> (95)	53,954 (240)	919 (417)
21003922	CAS002	39 (1,000)	3 <sup>3</sup> / <sub>4</sub> (95)	40,466 (180)	298 (135)
21003924	CAS027	47 (1,200)	5 <sup>1</sup> / <sub>8</sub> (130)	60,698 (270)	551 (250)

## MAIN ADVANTAGES

**Light Weight, Easy Handling & Dimensions:** Vertical dimension is less than half of the height of a standard pulley. Their compact design allows for easy handling and prevents damage during transportation.

**No Diameter Limitation:** Double pivoting frame allows it to move according to the line of geometry by adjusting themselves up to horizontal position, for an infinite bending radius.

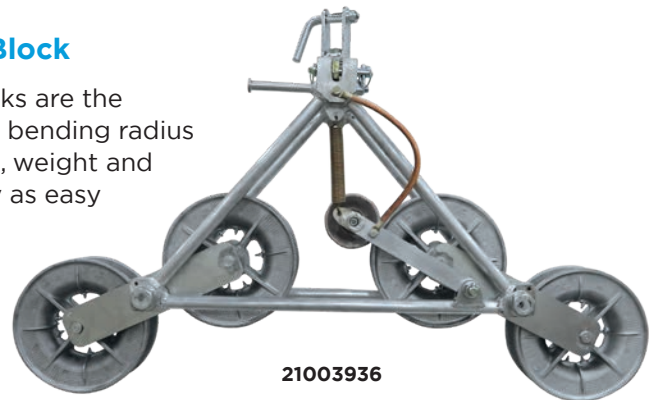
**Special Sectors:** Manufactured with anti wear material, tested and released in cooperation with Milan Politecnico.

**Matchable & Fully Compatible with Standard Blocks:** Spacing of the wheel is the same of standard pulley to allow to mix both the solutions. Groove 68 mm and groove 95 mm as per standard pulley are both available. Headboards, swivels, ropes, cover joints and all other equipment used for standard pulleys are fully compatible with pivoting array blocks.

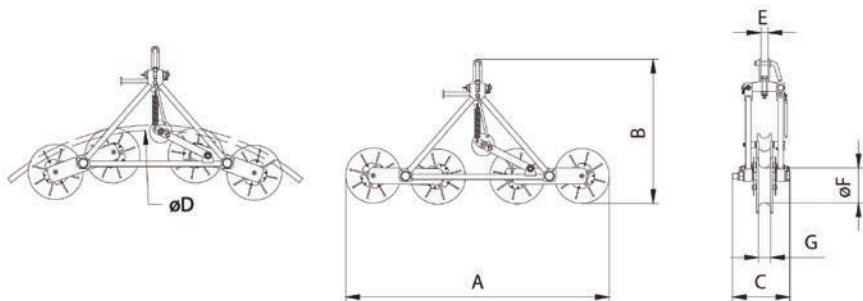
**High Center of Gravity:** Easier positioning at angles due to the center of gravity position, compared with traditional blocks.

## RUS007 Pivoting Array Block

Pivoting array blocks are the solution for a large bending radius keeping dimension, weight and handling capability as easy as possible.



21003936



Model	Working Load	Weight	A	B	C	D min	E	F	G
	lbf (kN)	lbs (kg)	inches (mm)	inches (mm)	inches (mm)	inches (mm)	inches (mm)	inches (mm)	inches (mm)
21003936	9,000 (40)	95 (43)	57.7 (1,465)	31.5 (800)	12.6 (320)	98.4 (2,500)	1.6 (40)	7.5 (190)	2.7 (68)