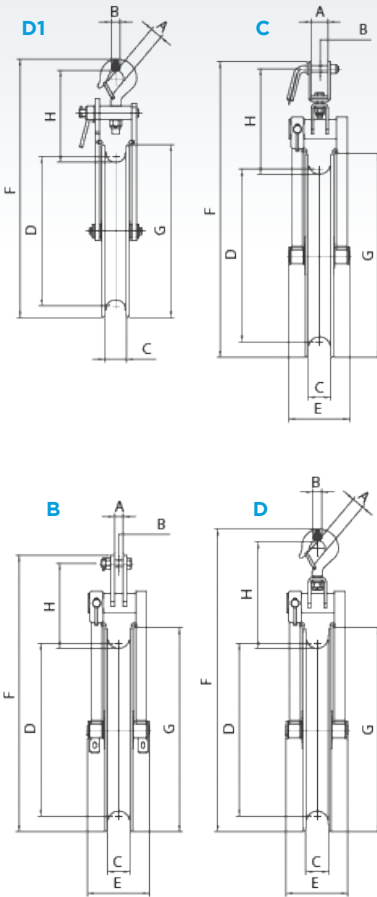
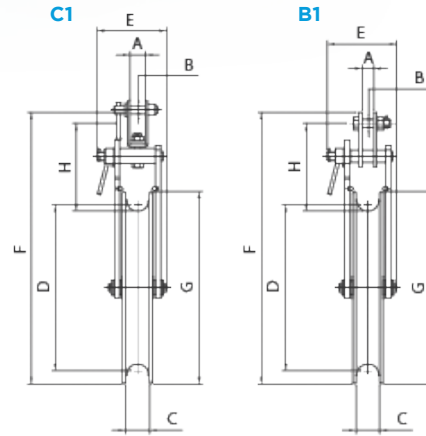


CAS Single Conductor Blocks

The block wheels are made of aluminum alloy mounted on ball bearings; the groove is lined by a neoprene ring or by wear-proof interchangeable nylatron or aluminum sectors. The frame is made of galvanized steel. The blocks can be supplied with three types of connections: fixed (B and B1), swivel-type (C and C1) or with a hook supplied with safety lock (D and D1).

Grounding device or complete conductive sheaves are available upon request.



Model Nylatron	Type of connection	Dimensions inches (mm)								Breaking load Mass	
		A	B	C	D	E	F	G	H	lbf (kN)	lbs (kg)
21007005	C1	1 (26)	5/8 (16)	1 31/32 (50)	10 (250)	6 (145)	19 (482)	13 (330)	7 (175)	17,985 (80)	15 (7)
21007010	D1	3 1/32 (25)	3/4 (19)	1 31/32 (50)	10 (250)	6 (145)	19 (490)	13 (330)	7 (175)	17,985 (80)	15 (7)
21007020	B1	1 (26)	1 1/16 (18)	2 1/8 (54)	14 (350)	6 (150)	23 (595)	17 (440)	8 (200)	15,737 (70)	24 (11)
21007030	C1	1 3/8 (35)	1 1/16 (18)	2 1/8 (54)	14 (350)	6 (150)	25 (640)	17 (440)	9 (225)	15,737 (70)	26 (12)
21007040	D1	1 1/4 (31)	1 3/16 (30)	2 1/8 (54)	14 (350)	6 (150)	25 (630)	17 (440)	9 (235)	15,737 (70)	26 (12)
21007080	B	1 (26)	25/32 (20)	2 11/16 (68)	26 (650)	7 (186)	39 (996)	31 (775)	10 (260)	22,481 (100)	62 (28)
21007085	C	1 1/16 (40)	25/32 (20)	2 11/16 (68)	26 (650)	7 (186)	41 (1,052)	31 (775)	12 (315)	22,481 (100)	64 (29)
21007095	D	1 1/4 (32)	1 3/32 (33)	2 11/16 (68)	26 (650)	7 (186)	43 (1,087)	31 (775)	13 (330)	22,481 (100)	66 (30)
21007105	B	1 (26)	25/32 (20)	3 3/4 (95)	26 (650)	9 (218)	40 (1,010)	31 (775)	11 (275)	26,977 (120)	71 (32)
21007110	C	1 1/16 (40)	25/32 (20)	3 3/4 (95)	26 (650)	9 (218)	42 (1,062)	31 (775)	13 (330)	26,977 (120)	73 (33)
21007120	D	1 1/4 (32)	1 3/32 (33)	3 3/4 (95)	26 (650)	9 (218)	43 (1,097)	31 (775)	14 (345)	26,977 (120)	75 (34)
21007130	B	1 (26)	25/32 (20)	2 11/16 (68)	32 (800)	7 (186)	43 (1,101)	35 (880)	10 (260)	26,977 (120)	71 (32)
21007135	C	1 1/16 (40)	25/32 (20)	2 11/16 (68)	32 (800)	7 (186)	46 (1,157)	35 (880)	12 (315)	26,977 (120)	73 (33)
21007145	D	1 1/4 (32)	1 3/32 (33)	2 11/16 (68)	32 (800)	7 (186)	47 (1,192)	35 (880)	13 (330)	26,977 (120)	75 (34)
21007155	B	1 (26)	25/32 (20)	3 3/4 (95)	32 (800)	9 (218)	44 (1,125)	35 (893)	11 (275)	26,977 (120)	84 (38)
21007165	C	1 1/16 (40)	25/32 (20)	3 3/4 (95)	32 (800)	9 (218)	47 (1,180)	35 (893)	13 (330)	26,977 (120)	86 (39)
21007175	D	1 1/4 (32)	1 3/32 (33)	3 3/4 (95)	32 (800)	9 (218)	48 (1,215)	35 (893)	14 (345)	26,977 (120)	88 (40)
21007180	B	1 (26)	25/32 (20)	3 3/4 (95)	39 (1,000)	9 (218)	53 (1,335)	43 (1,100)	11 (275)	26,977 (120)	108 (49)
21007185	C	1 1/16 (40)	25/32 (20)	3 3/4 (95)	39 (1,000)	9 (218)	55 (1,387)	43 (1,100)	13 (330)	26,977 (120)	110 (50)
21007190	D	1 1/4 (32)	1 3/32 (33)	3 3/4 (95)	39 (1,000)	9 (218)	56 (1,422)	43 (1,100)	14 (345)	26,977 (120)	112 (51)

