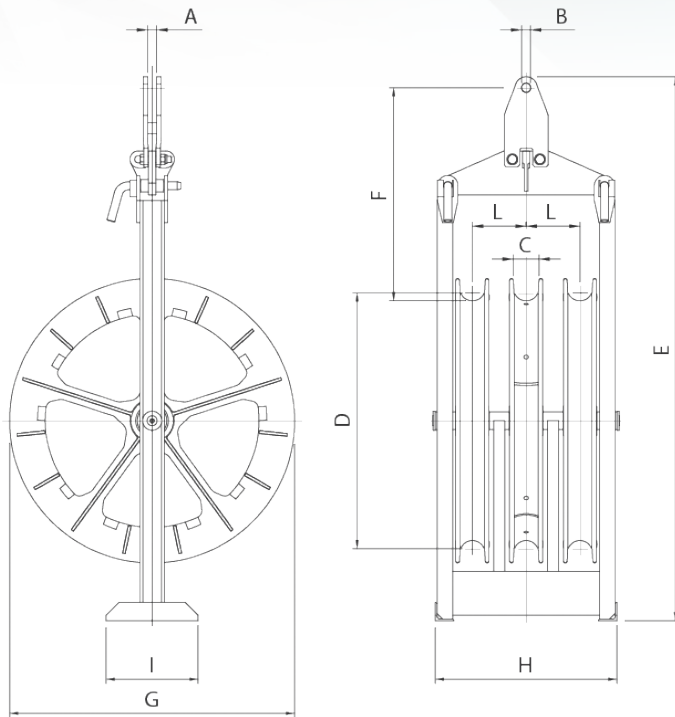


CAT Two or Three Bundled Conductor Blocks



The blocks are suitable for stringing two or three bundled conductor lines. The wheels are made of aluminum alloy. Lateral ones are mounted on ball bearings with the groove lined by a neoprene ring; the central one is mounted on double-row ball bearings with grooves made from wear-proof interchangeable nylatron sectors. The frame is made of galvanized steel. The blocks are supplied with fixed connection.

Grounding device or complete conductive sheaves are available upon request.



Model Nylatron	Dimensions inches (mm)										Breaking Mass load	
	A	B	C	D	E	F	G	H	I	L	lbf (kN)	lbs (kg)
21007200	³¹ / ₃₂ (25)	¹⁵ / ₁₆ (24)	2 ¹¹ / ₁₆ (68)	26 (650)	56 (1,430)	23 (580)	31 (775)	20 (500)	10 (250)	6 (145)	26,977 (120)	243 (110)
21007300	³¹ / ₃₂ (25)	¹⁵ / ₁₆ (24)	3 ³ / ₄ (95)	26 (650)	56 (1,430)	23 (580)	31 (775)	23 (572)	10 (250)	7 (175)	40,466 (180)	287 (130)
21007210	³¹ / ₃₂ (25)	¹⁵ / ₁₆ (24)	2 ¹¹ / ₁₆ (68)	32 (800)	60 (1,530)	23 (580)	35 (889)	20 (500)	10 (250)	6 (145)	40,466 (180)	276 (125)
21007215	³¹ / ₃₂ (25)	¹⁵ / ₁₆ (24)	2 ¹¹ / ₁₆ (68)	32 (800)	61 (1,540)	23 (580)	35 (889)	23 (572)	10 (250)	7 (175)	40,466 (180)	353 (160)
21007400*	³¹ / ₃₂ (25)	¹⁵ / ₁₆ (24)	3 ³ / ₄ (95)	39 (1,000)	69 (1,740)	23 (580)	43 (1,100)	23 (572)	10 (250)	7 (175)	44,962 (200)	437 (198)

*Lateral wheels with nylatron lining
Sectors in IEEE, nylatron and aluminum, or solid aluminum wheels are available upon request