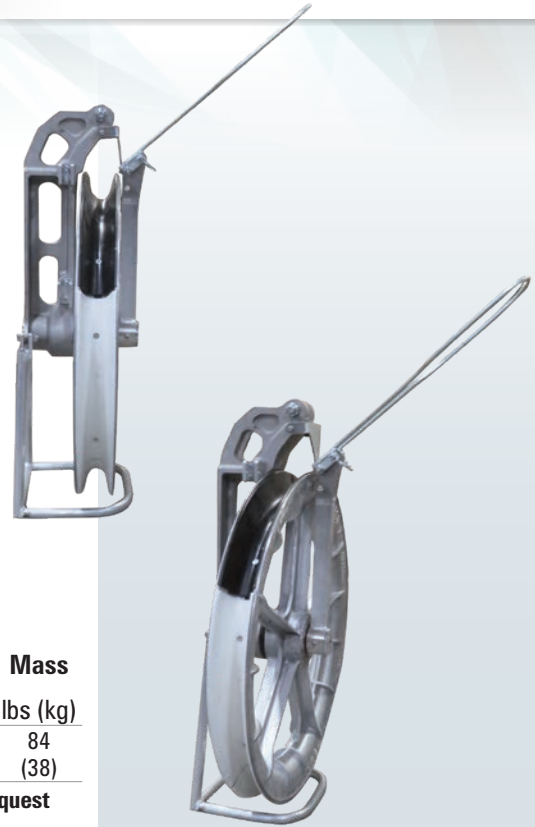
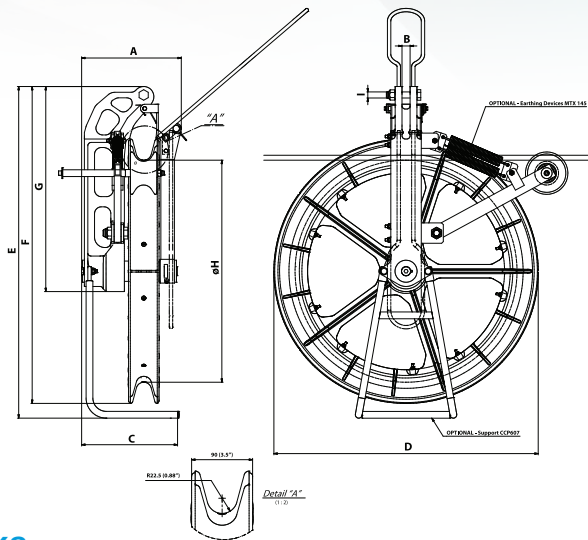


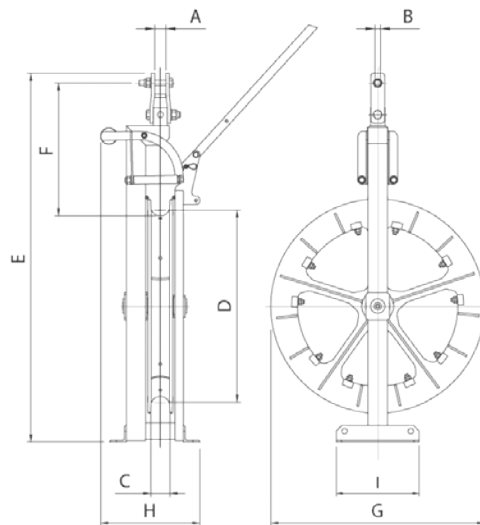
CES Single Blocks for Helicopter Stringing



SINGLE BLOCKS MOD. CES 617

Model Nylatron	Dimensions inches (mm)									Working load lbf (kN)	Mass lbs (kg)
	A	B	C	D	E	F	G	øH	I		
21003620IEEE	11.6 (294)	0.9 (24)	11.1 (283.14)	30.7 (780)	38.5 (978)	36.8 (935)	23.8 (605)	25.8 (655)	0.71 (18)	9,000 (40)	84 (38)

Sectors in IEEE, nylatron and aluminium, or solid aluminium wheels are available upon request



These single blocks are suitable for stringing the pilot rope by a helicopter. Special guides ensure the correct positioning of the rope during stringing operations. The wheels are made of aluminum alloy mounted on ball bearings with groove made from wear-proof contrasting nylatron sectors. The frame is made of galvanized steel. The blocks are supplied with fixed connection.

Grounding device or complete conductive sheaves are available upon request.



SINGLE BLOCKS MOD. CES

Model Nylatron	Dimensions inches (mm)									Breaking load lbf (kN)	Mass lbs (kg)
	A	B	C	D	E	F	G	H	I		
21003600	³¹ / ₃₂ (25)	¹⁵ / ₁₆ (24)	2 ¹ / ₁₆ (68)	26 (650)	50 (1,270)	17 (420)	31 (775)	14 (359)	12 (300)	26,977 (120)	106 (48)
21003700	³¹ / ₃₂ (25)	¹⁵ / ₁₆ (24)	3 ³ / ₄ (95)	26 (650)	50 (1,270)	17 (420)	31 (775)	15 (375)	12 (300)	26,977 (120)	137 (62)
21003800	³¹ / ₃₂ (25)	¹⁵ / ₁₆ (24)	2 ¹ / ₁₆ (68)	32 (800)	55 (1,390)	17 (420)	35 (893)	14 (359)	12 (300)	26,977 (120)	143 (65)
21003900	³¹ / ₃₂ (25)	¹⁵ / ₁₆ (24)	3 ³ / ₄ (95)	32 (800)	55 (1,390)	17 (420)	35 (893)	15 (375)	12 (300)	26,977 (120)	154 (70)
21003400	³¹ / ₃₂ (25)	¹⁵ / ₁₆ (24)	3 ³ / ₄ (95)	39 (1,000)	63 (1,590)	17 (420)	43 (1,100)	15 (375)	12 (300)	44,962 (200)	187 (85)

Sectors in IEEE, nylatron and aluminium, or solid aluminium wheels are available upon request