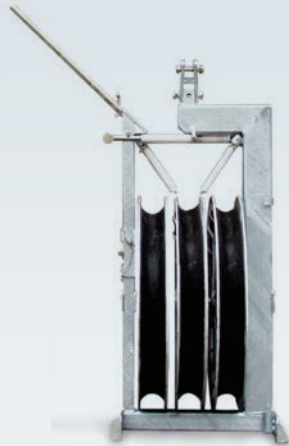
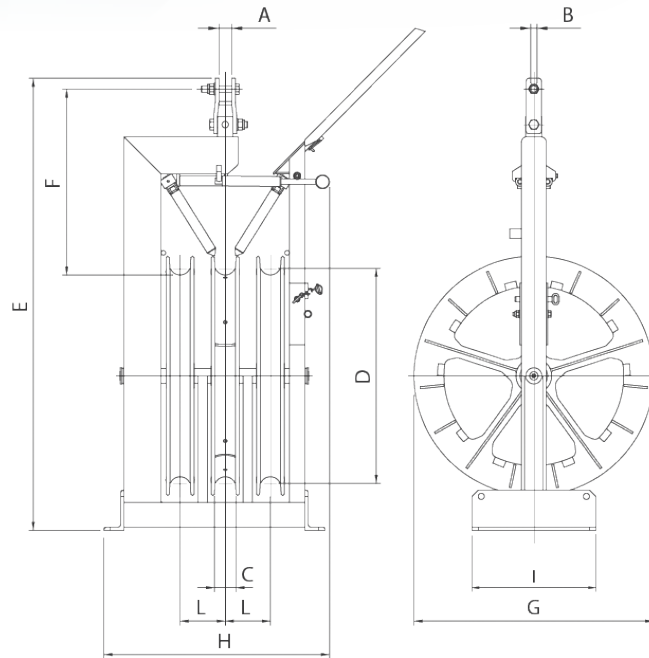


CET 3-Bundled Blocks for Helicopter Stringing

These two or three bundled blocks are suitable for stringing the pilot rope by a helicopter. The pilot rope is automatically positioned in the (central) wheel. Special guides ensure the correct positioning of the rope during stringing operations. The wheels are made of aluminum alloy mounted on ball bearings; the lateral ones have the groove lined by neoprene ring; the central one has the groove made up of wear-proof interchangeable nylatron sectors. The frame is made of galvanized steel. The blocks are supplied with fixed connection .

Grounding device or complete conductive sheaves are available upon request.



TWO OR THREE BUNDLED CONDUCTORS BLOCKS MOD. CET

Model Nylatron	Dimensions inches (mm)										Breaking load lbf (kN)	Mass lbs (kg)
	A	B	C	D	E	F	G	H	I	L		
21003000	³¹ / ₃₂ (25)	¹⁵ / ₁₆ (24)	2 ¹ / ₁₆ (68)	32 (800)	70 (1,775)	30 (765)	35 (893)	29 (729)	16 (400)	6 (145)	40,466 (180)	392 (178)
21003100	³¹ / ₃₂ (25)	¹⁵ / ₁₆ (24)	3 ³ / ₄ (95)	32 (800)	70 (1,775)	30 (765)	35 (893)	32 (805)	16 (400)	7 (175)	40,466 (180)	437 (198)
21003200*	³¹ / ₃₂ (25)	¹⁵ / ₁₆ (24)	3 ³ / ₄ (95)	39 (1,000)	78 (1,980)	30 (765)	43 (1100)	32 (805)	16 (400)	7 (175)	44,962 (200)	516 (234)

PART NUMBER

21000208 2 or 3 Conductor Headboard
21000911 Ground for 3-Bundle Helicopter Block

*Lateral wheels with nylatron lining
Sectors in IEEE, nylatron and aluminum, or solid aluminum wheels are available upon request

