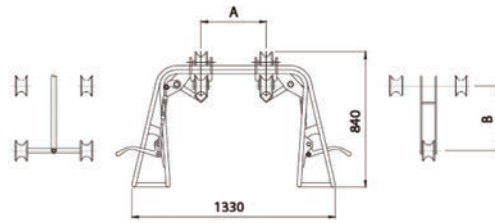


# CRB-CRT Inspection Trolleys



21006000 + 21006001

### OPTIONAL EQUIPMENT (21006000)

Part Number	Description
21006001	Makes it possible to use the trolley with three bundled conductors lines
21006002	Makes it possible to use the trolley with four bundled conductors lines

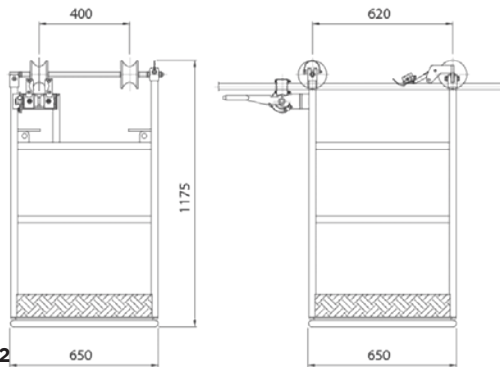
### CHARACTERISTICS

Capacity	441 lbs (200 kg)
Mass	95 lbs (43 kg)

### 21006000

The inspection trolley is made of light aluminum alloy and allows two persons to inspect two bundled conductor lines. The trolley is equipped with spacers and insulators on top. It comes equipped with a footrest and a stationary brake.

Note: Distance between the conductors to be specified.



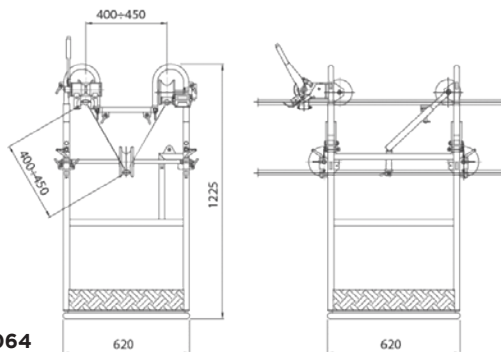
21006062

### 21006062

Inspection Trolley light weight for 2 bundled conductors - 2 rigid axles - conductive wheels - one lineman.

### CHARACTERISTICS

Capacity	220 lbs (100 kg)
Mass	66 lbs (30 kg)



21006064

### 21006064

Inspection Trolley light weight for 2-3 bundled conductors - independent wheels - conductive wheels - one lineman.

### CHARACTERISTICS

Capacity	265 lbs (120 kg)
Mass	77 lbs (35 kg)