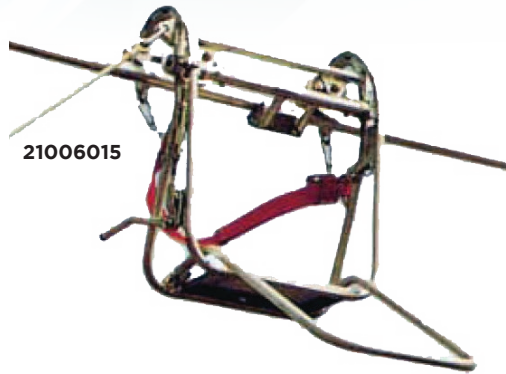


CRS Inspection Trolleys

21006015

The inspection trolley is made of light aluminum alloy and allows one person to inspect single conductor lines. The 21006015 comes with a footrest, a stationary brake a meter counter and a safety belt.



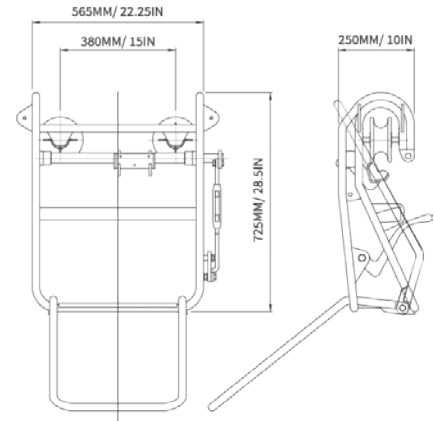
21006015

CHARACTERISTICS

Capacity	220 lbs (100 kg)
Mass	29 lbs (13 kg)

OPTIONAL

21006016	Footage counter
21006017	Safety belt



21006060

The inspection trolley is made of light aluminum alloy and allows one person to inspect single conductor lines. Unit comes complete with two aluminum neoprene lined wheels and one nylon wheel on ball bearings, meter counter and stationary brake.



21006060

CHARACTERISTICS

Capacity	331 lbs (150 kg)
Mass	165 lbs (75 kg)

