



*INSTRUCTIONS FOR USE*

**INSPECTION TROLLEY MOD. CRS320**



- 24050 Grassobbio (Bg) via Zanica, 17/O  
Tel. 0039 / 035 / 4232911  
Telefax 0039 / 035 / 4522445  
E-mail: info@tesmec.it

- 24060 Endine Gaiano (Bg) via Pertegalli  
Tel. 0039 / 035 / 825024  
Telefax 0039 / 035 / 826375  
E-mail: info@tesmec.it

## **IMPORTANTE**

*Per qualsiasi informazione riguardante questa macchina/attrezzatura (utilizzo, manutenzione, ricambi) citare sempre Modello, Numero di matricola, Commessa, Anno di fabbricazione rilevabile nella targa d'identificazione della macchina.*

Questo manuale non descrive le procedure di tesatura, né si è cercato di dare istruzioni all'utilizzatore sui metodi di tesatura. Il contenuto di questo manuale prevede unicamente un testo di base per l'uso, manutenzione e l'elenco dei pezzi di ricambio della macchina stessa e come s'intende e si suggerisce di utilizzarla. Saranno graditi suggerimenti da parte degli Utilizzatori per migliorare questa pubblicazione. Scriveteci all'indirizzo sottoindicato.

## **IMPORTANT NOTE**

*State always "Model, Serial Number and Manufacturing Year" of the machine/equipment in case you need information on use, maintenance and spare parts. The a/m data can be found on the identification plate of the machine itself.*

This is not a stringing procedures manual, and no attempt is made or implied herein to instruct the user in stringing methods. The contents of this manual are intended as base line for operation, maintenance and part list of the unit as it stands alone and as it is intended and anticipated to be used. Recommendation by the individual user for improving this publication is encouraged and should be forwarded to the address on this page.

## **IMPORTANT**

*Indiquer toujours le modèle, le numéro de série et l'année de fabrication de la machine/équipement même, en demandant à TESMEC renseignements sur l'utilisation, l'entretien et les pièces de rechange.*

*Ces informations se trouvent sur la plaque d'identification de la machine.*

Ce manuel ne décrit pas les procédures de déroulage, ni on a tâche de donner instructions à l'Utilisateur sur les méthodes de déroulage. Le contenu de ce manuel prévoit seulement un texte pour l'utilisation, l'entretien et la liste de pièces de rechange et comme TESMEC conseille d'utiliser la machine même. Pour chaque suggestion pour améliorer cette machine, écrire à l'adresse au-dessous.

## **IMPORTANTE**

*Para cualquier información relativa a esta máquina/equipo (utilización, mantenimiento, repuestos) citar siempre Modelo, Número de serie, Orden de compra, Año de fabricación que se hallan en la tarjeta de identificación de la máquina.*

Este manual no describe los procedimientos de tensado y tampoco se ha tratado de dar instrucciones al utilizador acerca de los métodos de tensado. El contenido de este manual prevé únicamente un texto básico para el uso, mantenimiento y el listado de repuestos de la misma máquina y cómo se pretende y se sugiere utilizarla.

Se apreciarán sugerencias por parte de los utilizadores para mejorar esta publicación. Nos pueden escribir a la dirección indicada abajo.

## **IMPORTANTE**

*Para qualquer informação a respeito desta máquina/equipamento (utilização, manutenção, peças sobresselentes) citar sempre o Modelo, o Número de Série, a Encomenda, o Ano de fabrico, dados que podem ser encontrados na placa de identificação da máquina.* Este manual não descreve os procedimentos de entesadura, tão pouco foi nossa intenção dar instruções ao utilizador sobre os métodos de entesadura. O conteúdo deste manual de instruções prevê unicamente um texto básico para o uso, a manutenção e a lista das peças sobresselentes da mesma máquina e como se entende e se sugere utilizá-la.

Serão muito bem aceitas sugestões por parte dos Utilizadores, no intento de melhorar esta publicação. Escrevam-nos no endereço abaixo indicado.

## **WICHTIG**

*Geben Sie für alle Informationen über diese Maschine/Ausrüstung (Verwendung, Wartung, Ersatzteile) immer Modell, Matrikelnummer, Bestellung und Baujahr an, was Sie dem Identifizierungsschild der Maschine entnehmen können.*

Dieses Handbuch beschreibt nicht die Verfahren des Spannsens, und es wurde auch nicht versucht, dem Verwender Anleitungen über die Methoden des Spannsens zu geben. Der Inhalt dieses Handbuchs enthält allein einen Basistext für den Gebrauch und die Wartung, die Ersatzteilliste der Maschine und außerdem, welche Verwendung für sie bezweckt und empfohlen wird.

Wir freuen uns über Tipps von Seiten der Verwender, um diese Veröffentlichung zu verbessern. Schreiben Sie uns an unten angegebene Adresse.

## **ВАЖНОЕ ПРИМЕЧАНИЕ**

*Всегда следует указывать модель, серийный номер и год выпуска машины/оборудования в случае, если Вам необходима информация по эксплуатации, техническому обслуживанию и запасным частям. Вышеупомянутые данные можно найти на паспортной табличке на самой машине.*

Это — не руководство по методикам натяжения, и здесь не делается никаких попыток инструктирования пользователя способам натяжения, и они не подразумеваются. Цель настоящего руководства состоит только в том, чтобы дать описание эксплуатации и технического обслуживания, а также список запасных частей машины, и указать ее назначение и рекомендуемое использование. Рекомендации отдельных пользователей по улучшению данной публикации приветствуются, и их следует направлять по адресу, указанному в руководстве.



- 24050 Grassobbio (Bg) via Zanica, 17/O  
Tel. 0039 / 035 / 4232911  
Telefax 0039 / 035 / 4522445  
E-mail: info@tesmec.it

- 24060 Endine Gaiano (Bg) via Pertegalli  
Tel. 0039 / 035 / 825024  
Telefax 0039 / 035 / 826375  
E-mail: info@tesmec.it

# ***INSPECTION TROLLEY***

## ***Model: CRS320***

*Manufacturing year*

.....

*Working order*

.....

***USE AND MAINTENANCE INSTRUCTIONS***



## 1. GENERAL INDEX

	<i>Page</i>
<b>1. GENERAL INDEX</b>	<b>1</b>
<b>2. GENERAL DATA AND PRESCRIPTIONS</b>	<b>2</b>
2.1 MANUFACTURER	2
2.2 COMMUNICATIONS WITH THE MANUFACTURER	2
2.3 TYPOLOGY AND USING FIELD	2
2.4 TECHNICAL CHARACTERISTICS	2
2.5 GENERAL PRESCRIPTIONS FOR THE EQUIPMENT USE	2
2.6 GENERAL PRESCRIPTIONS FOR THE OPERATOR CHARGED OF THE EQUIPMENT USE	3
2.7 GENERAL PRESCRIPTIONS FOR THE OPERATOR CHARGED OF THE EQUIPMENT	3
MAINTENANCE	3
2.8 KNOWLEDGE AND CARE OF THE INSTRUCTION MANUAL	3
2.9 USE NOT ALLOWED	4
2.10 RESPONSIBILITY	4
2.11 APPLIED NORMS	4
<b>3. TRANSPORT AND POSITIONING INSTRUCTIONS</b>	<b>5</b>
3.1 EQUIPMENT LIFTING	5
3.2 TRANSPORT TYPOLOGIES AND PACKAGE	5
3.3 UNPACKING	5
3.4 POSITIONING AND ANCHORING	6
<b>4. INSTRUCTION FOR USE</b>	<b>7</b>
4.1 PRESCRIPTIONS FOR THE OPERATOR	7
4.2 USE	7
<b>5. SAFETY CONDITIONS</b>	<b>8</b>
5.1 SAFETY DEVICES	8
5.2 PERIODIC OPERATIONS	8
5.3 RESIDUAL RISKS	8
<b>6. MAINTENANCE</b>	<b>9</b>
6.1 GENERAL PRESCRIPTIONS	9
6.2 PERIODIC OPERATIONS	9
6.3 CONTROL TABLE	10
<b>7. HOW TO DISABLE THE EQUIPMENT</b>	<b>11</b>
7.1 EXTENDED SERVICE STOP	11
7.2 STRIPPING	11

## 2. GENERAL DATA AND PRESCRIPTIONS

### 2.1 MANUFACTURER

#### **TESMEC S.p.A.**

Via Zanica, 17/O  
24050 - GRASSOBBIO  
BG - ITALY  
tel. (+39)-035-4232911  
fax (+39)-035-4522445  
e-mail: info@tesmec.it

Via Pertegalli, 2  
24060 - ENDINE GAIANO  
BG - ITALY  
tel. (+39)-035-825024  
fax (+39)-035-826375  
e-mail: info@tesmec.it

### 2.2 COMMUNICATIONS WITH THE MANUFACTURER

For any information related to the equipment (use, maintenance, spare parts) always state Model, Manufacturing Year and Order. These data can be found in the equipment-identifying table.

### 2.3 TYPOLOGY AND USING FIELD

The inspection trolley for one single conductor has been designed to transport one person along the bay of the conductor or guide rope.

It is made of light aluminium alloy and equipped with the following devices:

- Aluminium wheels with neoprene ring
- backrest in polyamide textile
- device for the connection to the towing rope
- no sliding floor
- parking brake
- safety chains.

### 2.4 TECHNICAL CHARACTERISTICS

Capacity        1,5 kN  
Mass            71 kg

### 2.5 GENERAL PRESCRIPTIONS FOR THE EQUIPMENT USE

- Only authorised and trained personnel must use the equipment.  
Trained personnel are intended to be the person who has received a qualified training from the using Company or, as alternative, from the manufacturer.
- Equipment must be used **only** for the work it was designed for.
- Equipment cannot be used with non-authorised personnel on the working site.
- For any doubt concerning use, functioning, maintenance or everything else, contact the After-sale Service of the manufacturer.

## 2.6 GENERAL PRESCRIPTIONS FOR THE OPERATOR CHARGED OF THE EQUIPMENT USE

- a. Operator **has** to know safety directives for accident prevention in force in the equipment using country, for a correct use of the same.
- b. The operator in charge with the installation and maintenance of the equipment must use **suitable clothes** to the working site and to the situation where he finds himself; in particular, he must avoid the use of very large clothes, chains, bracelets, rings or whatever can get entangled with moving parts of the equipment.
- c. The operator has to use the necessary protecting devices (i.e. gloves, boots, helmet, etc.).  
**It is compulsory the use of a safety harness.**
- d. The operator must not carry out on his own initiative operations or interventions that are not up to him.
- e. The operator must carefully follow danger and/or prohibition prescriptions contained in the instruction manual or indicated on the equipment.

## 2.7 GENERAL PRESCRIPTIONS FOR THE OPERATOR CHARGED OF THE EQUIPMENT MAINTENANCE

- a. **It is absolutely forbidden** to carry out any work of maintenance, adjustment or setting on units while stringing (except for the operations indicated in the present manual).
- b. Authorised and trained personnel must carry out all the maintenance operations, ordinary and not ordinary. Trained personnel are intended to be the person who has received a qualified training from the using Company or, as alternative, from the manufacturer.
- c. The operator in charge with the maintenance of the equipment must use suitable clothes to the working site and to the situation where he finds himself; in particular, he must avoid the use of very large clothes, chains, bracelets, rings or whatever can get entangled with moving parts of the equipment.
- d. The operator has to use the necessary protecting devices (i.e. gloves, boots, helmet, etc.).
- e. All the maintenance operations, ordinary and not ordinary, must be effectuated respecting the prescriptions indicated in the present manual or following technical indications written by the manufacturer. The non-respect of the prescribed restrains relieves the manufacturer from any responsibility causing also the loss of warranty.

## 2.8 KNOWLEDGE AND CARE OF THE INSTRUCTION MANUAL

- a. The information contained in the instruction manual applies to all the operators charged with the use and/or the maintenance of the equipment.
- b. The instruction manual **is not** a training manual.
- c. Before using the equipment, the chief of the job site and the operator **must** read the instruction manual.
- d. The chief of the job site **is obliged** to inform all the operators about the instructions contained in the manual.
- e. The user **must** carefully follow the instructions listed in the present manual.
- f. Before using the equipment, the operator **must** be able to use it and **has** to exactly know the positions and the functioning of all the controls.
- g. The chief of the job site **must** verify that the instructions contained in the manual are applied.
- h. The instruction manual **must** be kept, in order to be consulted, for all the life of the equipment and also when it is given to another user.
- i. The instruction manual **must** be kept in a sheltered and dry place.



**ATTENTION: present manual belongs exclusively to the manufacturer.  
The reproduction, event partial, of the text is forbidden.**

## 2.9 USE NOT ALLOWED

The equipment **must not be used**:

- a. for lifting persons and/or goods
- b. by more than two persons at the same time
- c. with capacities higher than the indicated ones
- d. on ropes or conductors connected to supports not sufficiently steady
- e. on ropes or conductors that do not grant the necessary capacity for the equipment
- f. on aircraft, crafts, floating platforms and similar
- g. on shafts, poles or similar structures
- h. with inhibited or broken safety devices.

## 2.10 RESPONSIBILITY

The use of the equipment for scopes different from those foreseen on paragraph 2.3 (Typology and using field), even if not well described in this manual, has to be considered extremely **dangerous** and then **forbidden**.

**The non-respect of the prescribed restrains causes a situation of improper use for technical and persons safety purposes and relieves the manufacturer from any responsibility, civil or penal, in case of accidents to persons or damages to things, causing the loss of warranty.**

The manufacturer responsibility declines even when one of the following situations happens:

- a. for the consequences caused by tampering and/or modifications carried out without the manufacturer's written acceptance (in this case the operator becomes the manufacturer with relevant obligations and responsibilities, both civil and penal)
- b. for the use of not original spare parts
- c. for bad maintenance
- d. for the use with disconnected safety devices
- e. for the connection to equipment and/or plans not produced and not directly authorised by the manufacturer in a written acceptance.

## 2.11 APPLIED NORMS

The equipment is manufactured in conformity with the following norm:

**2006/42/CE** Norm referring to the laws of the machines.

**2014/30/UE** Norm referring to the laws of the electromagnetic compatibility.

### 3. TRANSPORT AND POSITIONING INSTRUCTIONS

#### 3.1 EQUIPMENT LIFTING

For the equipment lifting use only devices with a capacity suitable for the mass to be lifted.

The devices used for the equipment lifting (ropes, cables, hooks, etc.) have to be exactly dimensioned as compared to the mass to be lifted.

During equipment lifting operations, the presence of persons on the equipment is strictly forbidden.



**DANGER:** the non-respect of the above mentioned conditions may cause dangerous situations as well as damages to the equipment with the consequent decline of any warranty condition.

#### 3.2 TRANSPORT TYPOLOGIES AND PACKAGE

##### Transport by land by truck

The equipment comes without all the liquids that can be set on fire and protected in the most exposed and delicate parts by means of cardboard and/or plywood and/or polyethylene extensible film.

To fix the equipment on the platform of the transporting unit, use nailed wedges and/or metal brackets and/or tie rods.

##### Transport by sea in wooden cases or container

The equipment comes without all the liquids that can be set on fire; metal parts are protected with waterproof wax.

To fix the equipment on the package, use nailed wedges and/or metal brackets and/or tie rods.

At the inside, the wooden case foreseen a protection with tarpaper.

Materials usually used for the package are:

- ⇒ wooden
- ⇒ nails and/or steel screws
- ⇒ cardboard and/or paper
- ⇒ polyethylene extensible film
- ⇒ adhesive tape.

#### 3.3 UNPACKING

When receiving the equipment verify the integrity of the package; advise immediately the manufacturer and the person in charge of the transport (even with photos) when possible damages due to transport or tampering with removal, even partial, of the content happen.

Verify if the supplied material corresponds to the ordered one; immediately advise the manufacturer if there are some discrepancies.

In case of transport on wooden case, remove, in sequence, the upper cover and lateral panels, before removing the equipment.

During unpacking operations, avoid any shock to the structure or to the equipment units, in order to avoid any damage to the equipment itself.



**ATTENTION:** the elimination of packaging materials must be effectuated in conformity with the norms in force in the using country.



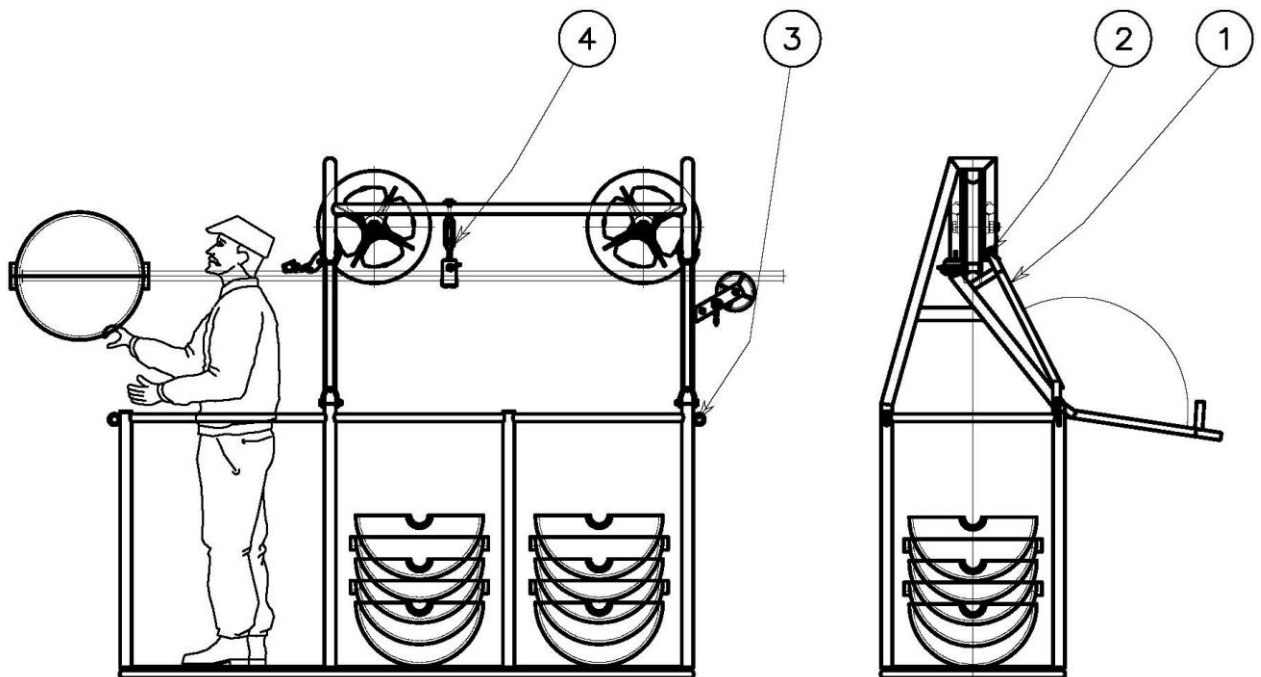
### 3.4 POSITIONING AND ANCHORING

Positioning and anchoring of the equipment have to be carried out only by trained personnel.

- a. Lift the trolley till the correct operating position.
- b. Lay the wheels on the rope.
- c. Close the safety chains (pos. 1).
- d. Block the parking brake acting on the lever (pos. 2), adjusting the parking brakes locking by means of the turnbuckle (pos. 4) as function of the conductors or of the rope diameter.
- e. Mount on the trolley.
- f. If necessary, fix the towing rope to the suitable connections (pos. 3).




**ATTENTION:** the non-respect of the foreseen anchoring operations may cause dangerous situations during equipment use.



## 4. INSTRUCTION FOR USE

### 4.1 PRESCRIPTIONS FOR THE OPERATOR

-  **PROHIBITION:** it is forbidden to walk or stop under the trolley due to a constant residual risk of crushing in case of a possible falling of objects or giving in of the structure.

Daily, before starting the work, check if the protection and safety devices (safety harness, safety chain, parking brake, backrest belt) are activated and functioning.

To correctly work with the trolley, the operator has to use the safety harness and foreseeing a safety stake around the rope and connected to the belt.

### 4.2 USE

Release the parking brake and slide along the bay.

We suggest to always use a towing/recovering rope to make easier the operator advancement.

Once reached the intervene place the operator has to block the parking brake before carrying out any manoeuvre.

## 5. SAFETY CONDITIONS

### 5.1 SAFETY DEVICES

Trolley has been equipped with the following safety devices:

1. safety chains
2. parking brakes.



**DANGER:** it is absolutely forbidden the use of the equipment with damaged/disconnected safety devices.

### 5.2 PERIODIC OPERATIONS

Daily, before starting the work, the operator **has** to verify the functionality of the equipment safety and protecting devices.



**ATTENTION:** do not modify for any reason safety devices of the equipment because the manufacturer declines any responsibility as consequence of the non-functioning of the same.

### 5.3 RESIDUAL RISKS

During the equipment use there are still the following residual risks:

- 1. Sudden break of the anchoring.** The break of the rope or the settling of the trellis causes the sudden falling of the equipment, with mortal consequences for the personnel.  
To reduce to min., the risks the operator has to:  
⇒ respect the anchoring modalities and the using limitations indicated in the present manual.
- 2. Limbs crushing during assembly or positioning of the equipment.** These operations have a large risk margin due to the use of mechanical parts to be moved.  
To reduce to min., the risks the operator has to:  
⇒ know the directives for accident prevention and apply them.
- 3. Electrostatic discharges.** The trolley has not a proper grounding device for this reason, during stringing operations, it is possible to have dangerous electrostatics discharges on ropes and conductors.  
To reduce to min., the risks the operator has to:  
⇒ know the directives for accident prevention and apply them  
⇒ check if the job site has a suitable grounding device for the equipment-rope-conductor's system.
- 4. Air-works.** The equipment has been studied for suspended air-works for conductor lines.  
To reduce to min., the risks the operator has to:  
⇒ know the directives for accident prevention and apply them.

## 6. MAINTENANCE

### 6.1 GENERAL PRESCRIPTIONS



**ATTENTION:** possible repairs not carried out by the manufacturer and not allowed by a written authorisation relieve the manufacturer for any responsibility in case of accidents to persons or damages to things and/or to the equipment, causing also the loss of warranty.

### 6.2 PERIODIC OPERATIONS

Before and at the end of each single use, verify:

- ⇒ if the equipment presents no damage with structural deformations
- ⇒ the condition of the safety chains
- ⇒ the condition of the parking brakes.

Possible damaged pieces have to be immediately replaced before starting a new use.

At least once at year trained personnel, taking note on the operation and on the relevant comments on the annexed control table must check the trolley.

If necessary, the trolley must be sent to the manufacturer for an accurate maintenance operation and a new working test.



INSPECTION TROLLEY  
Model: CRS320

6.3 CONTROL TABLE

Manufacturer 	Equipment <b>INSPECTION TROLLEY MOD. CRS320</b>	Manufacturing year ..... Working order .....
---	--	---

The table filling in must be made only by trained personnel.

Purchasing date	Date of first put in service	User/Users name
-----------------	------------------------------	-----------------

**PERIODICAL CONTROLS**

DATE	CHECKED BY	OBSERVATIONS

## **7. HOW TO DISABLE THE EQUIPMENT**

### **7.1 EXTENDED SERVICE STOP**

When foreseeing an extended service stop (two months at least) protect the external parts with waterproof wax.

We recommend stocking the equipment under a roof; do not cover the equipment with pieces of cloth and/or plastic materials that cause an excessive increase of temperature and humidity.

### **7.2 STRIPPING**

Equipment stripping has to be carried out by the manufacturer or by a specialised factory.

All stripping operations have to be effectuated in conformity with the norms in force for accidents prevention.

Waste materials have to be divided for typology (i.e. iron scrap, aluminium, plastic, rub, etc.) and disposed of by means of authorised structures in conformity with the laws in force in the using country.

Exhausted oils and polluting substances have to be disposed of by means of authorised structures in conformity with the laws in force in the using country.