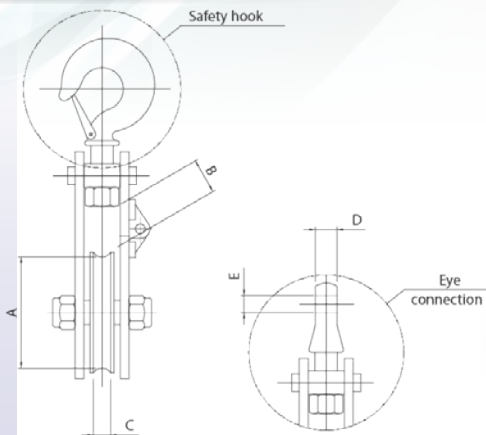


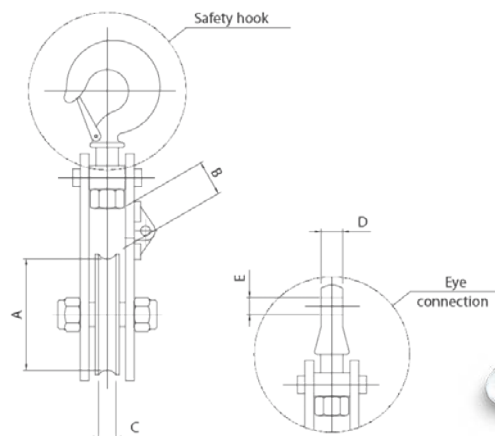
# CZA-CZL Service Snatch Blocks

The service snatch blocks are available in open or closed configurations. The wheels are mounted on ball bearings.

Special models are available upon request.



Swivel connection		Dimensions inches (mm)					Breaking load lbf (kN)	Mass lbs (kg)	
Safety hook connection	Eye connection	A	B	C	D	E		Safety hook connection	Eye connection
Open type									
21008025	21008030	4 1/4 (108)	1 9/16 (40)	1 9/32 (15)	2 5/32 (20)	5/8 (17)	20,233 (90)	11.0 (5)	10.8 (4.9)
21008000	21008005	5 7/16 (138)	1 9/16 (40)	1 9/32 (15)	1 1/16 (27)	1 3/16 (21)	40,466 (180)	17.6 (8)	18.7 (8.5)
21008010	21008040	7 1/4 (185)	1 9/32 (55)	1 3/16 (30)	1 3/16 (30)	1 (26)	56,202 (250)	26.5 (12)	26.5 (12)



## ALUMINUM ALLOY SERVICE SNATCH BLOCKS MOD. CZL

Swivel connection		Dimensions inches (mm)					Breaking load lbf (kN)	Mass lbs (kg)	
Safety hook connection	Eye connection	A	B	C	D	E		Safety hook connection and Eye connection	
Open type									
21008050	21008055	3 15/16 (100)	1 3/16 (30)	7/8 (22)	1/2 (14)	2 3/32 (18)	6,744 (30)	3.5 (1.6)	
21008060	21008065	5 1/2 (140)	1 9/16 (40)	3 1/32 (25)	9/8 (16)	2 3/32 (18)	13,489 (60)	6.2 (2.8)	

