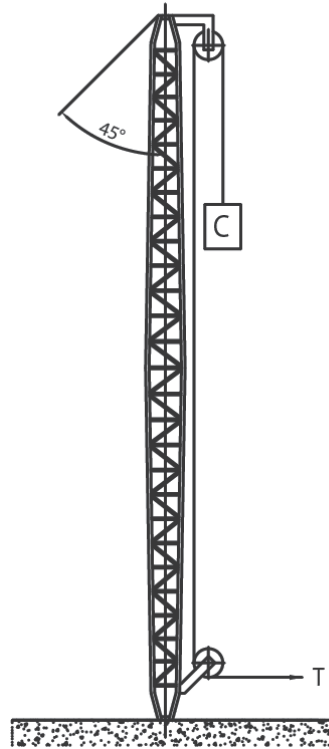


FAL Derricks

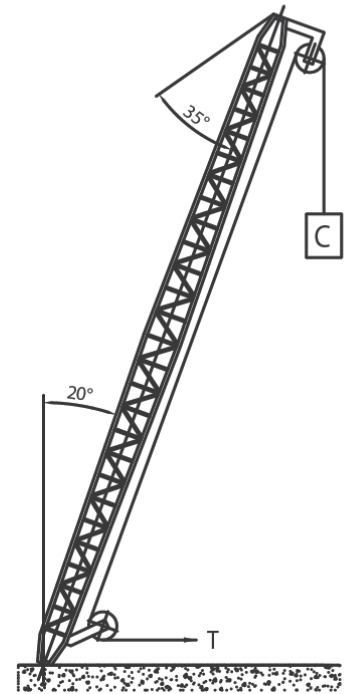
The derricks have been specifically designed for installation of towers, poles and vertical structures and are manufactured with tubular, welded, light aluminum alloy reticular structures. Derricks are available in sections of different lengths, connected together to reach the required total length. The derricks have swivel head and swivel base and come standard with external rope passage.

Special derricks are available upon request (internal rope passage; non standard lengths).

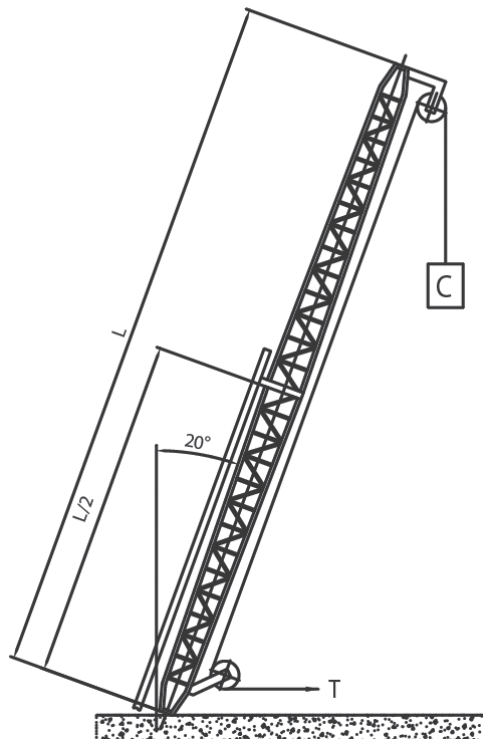
Pos. 1



Pos. 2



Pos. 3



Model	Total capacity lbf (kN)			Total length ft (m)	Section length ft (m)	Mass lbs (kg)	Snatch Blocks		Anchoring ropes
	Pos. 1 0°	Pos. 2 20°	Pos. 3 20°				Upper service snatch blocks	Lower service snatch blocks	
21009700	2,923 (13)	2,248 (10)	674 (3)	26 (8)	13+13 (4+4)	88 (40)	21008025	21008025	ALT046
21009702	2,923 (13)	2,248 (10)	674 (3)	39 (12)	13+13+13 (4+4+4)	143 (65)	21008025	21008025	ALT047
21009704	4,496 (20)	3,597 (16)	899 (4)	26 (8)	13+13 (4+4)	99 (45)	21008025	21008025	ALT046
21009706	4,496 (20)	3,597 (16)	899 (4)	33 (10)	13+7+13 (4+2+4)	132 (60)	21008025	21008025	ALT046
21009708	4,496 (20)	3,597 (16)	899 (4)	39 (12)	13+13+13 (4+4+4)	154 (70)	21008025	21008025	ALT047
21009710	5,620 (25)	4,496 (20)	1,124 (5)	26 (8)	10+7+10 (3+2+3)	110 (50)	21008000	21008025	ALT046
21009712	5,620 (25)	4,496 (20)	1,124 (5)	39 (12)	13+13+13 (4+4+4)	176 (80)	21008000	21008025	ALT047
21009714	5,620 (25)	4,496 (20)	1,124 (5)	52 (16)	16+20+16 (5+6+5)	243 (110)	21008000	21008025	ALT048
21009716	8,543 (38)	6,744 (30)	1,574 (7)	39 (12)	13+13+13 (4+4+4)	220 (100)	21008010	21008000	ALT043
21009718	8,543 (38)	6,744 (30)	1,574 (7)	52 (16)	16+20+16 (5+6+5)	287 (130)	21008010	21008000	ALT044
21009720	8,543 (38)	6,744 (30)	1,574 (7)	59 (18)	20+20+20 (6+6+6)	397 (180)	21008010	21008000	ALT045
21009722	8,543 (38)	6,744 (30)	1,574 (7)	66 (20)	16+16+16+16 (5+5+5+5)	441 (200)	21008010	21008000	ALT045
21009724	11,240 (50)	8,992 (40)	1,798 (8)	39 (12)	13+13+13 (4+4+4)	265 (120)	21008010	21008000	ALT156
21009726	11,240 (50)	8,992 (40)	1,798 (8)	52 (16)	13+13+13+13 (4+4+4+4)	353 (160)	21008010	21008000	ALT147
21009728	11,240 (50)	8,992 (40)	1,798 (8)	66 (20)	16+16+16+16 (5+5+5+5)	485 (220)	21008010	21008000	ALT015
21009730	13,938 (62)	11,240 (50)	2,248 (10)	39 (12)	20+20 (6+6)	331 (150)	CZA380	21008010	ALT156
21009732	13,938 (62)	11,240 (50)	2,248 (10)	52 (16)	16+20+16 (5+6+5)	441 (200)	CZA380	21008010	ALT147
21009734	13,938 (62)	11,240 (50)	2,248 (10)	59 (18)	20+20+20 (6+6+6)	507 (230)	CZA380	21008010	ALT015
21009736	13,938 (62)	11,240 (50)	2,248 (10)	66 (20)	16+16+16+16 (5+5+5+5)	551 (250)	CZA380	21008010	ALT015
21009738	22,481 (100)	17,985 (80)	3,597 (16)	52 (16)	16+20+16 (5+6+5)	661 (300)	CZA380	CZA340	ALT155
21009740	22,481 (100)	17,985 (80)	3,597 (16)	59 (18)	20+20+20 (6+6+6)	728 (330)	CZA380	CZA340	ALT155
21009742	22,481 (100)	17,985 (80)	3,597 (16)	72 (22)	16+20+20+16 (5+6+6+5)	882 (400)	CZA380	CZA340	ALT017

The max lifting load (C) using standard snatch blocks is 50% of the total capacity (according to the working position).