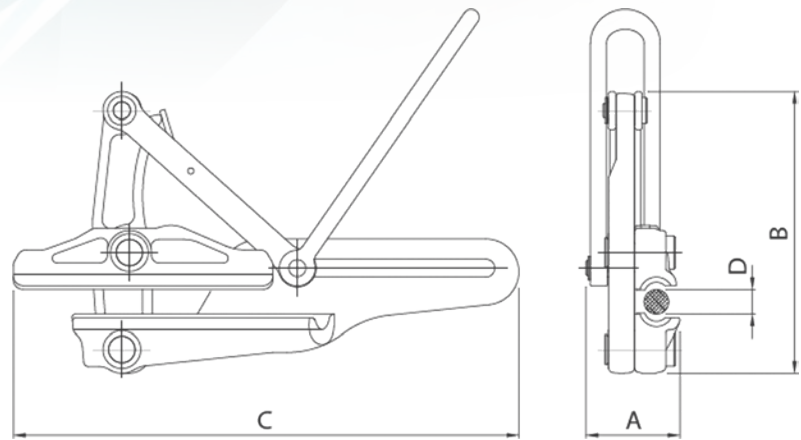


MOT Self-Gripping Clamps

The self-gripping clamps can be used to anchor and to string conductors (aluminum, ACSR...) and steel rope. The body is made of high strength heat forged steel, in order to minimize the ratio between weight and working load. The galvanization treatment on the surface protects from oxidation. Condux Tesmec clamps can be provided with machined body clamps or with interchangeable jaws, as per the following tables. The most important characteristic of the clamp with interchangeable jaws is the ability to use the same clamp for working on conductors, ropes or OPGW of different diameters by only changing the jaws. This feature helps reduce operating costs. New Condux Tesmec clamps can accept a large range of rope and conductor diameters by using a small number of interchangeable or machined jaws.

Special clamp models without jaws are available also for use on conductors.

Special jaws are available upon request.



21004040



Model	Dimensions inches (mm)			Breaking load lbf (kN)	Max working load* lbf (kN)	Mass lbs (kg)	Use		Diameter range inches (mm) D
	A	B	C				Steel rope	Conductor interchangeable jaws	
21004040	3 ⁵ / ₃₂ (80)	8 ²⁷ / ₃₂ (225)	15 ³¹ / ₃₂ (380)	28,101 (125)	9,442 (42)	15.43 (7)	yes	no	0.31-0.71 (8-18)
21004030-024	3 ¹ / ₁₆ (100)	11 ¹ / ₁₆ (300)	21 ¹ / ₁₆ (535)	50,582 (225)	16,861 (75)	33.07 (15)	yes	no	0.71-0.94 (18-24)
21004030-028	3 ¹ / ₁₆ (100)	11 ¹ / ₁₆ (300)	21 ¹ / ₁₆ (535)	50,582 (225)	16,861 (75)	33.07 (15)	yes	no	0.94-1.10 (24-28)
21004038-032	4 ¹ / ₂ (114)	13 ²⁹ / ₃₂ (353)	23 ²⁵ / ₃₂ (604)	62,947 (280)	20,907 (93)	42.99 (19.5)	yes	no	1.06-1.26 (27-32)

*Max safe working load may change according to local safety factor standards

HARDLINE PULLING CLAMPS

- Constructed of high strength heat forged steel, galvanized for toughness, strength and corrosion resistance
- Suitable for steel hardline ranging in size from .315 to 1.260 inches (8 to 32mm)
- Double V Jaw Contour - Four point contact provides greater gripping pressure
- Tungsten Carbide is cast to lower jaw for wear resistance and additional grip
- Locking loop handles allow the jaws to be held in an open position for easy placement on wire or cable

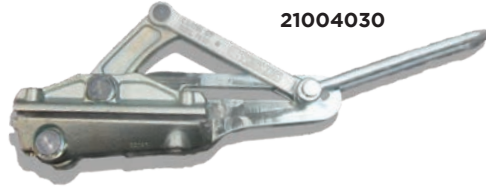




21004070



21004060



21004030



21004038

WIRE PULLING CLAMPS

- Constructed of high strength heat forged steel, galvanized for toughness, strength and corrosion resistance
- Clamps feature a full range of interchangeable aluminum liners to be inserted between the upper and lower jaws of the clamp
- Suitable for conductor sizes ranging from .276 to 1.811 inches (7 to 46mm)
- Jaws and liner inserts are round to provide maximum contact and gripping power
- Recommended for use on bare aluminum, ACSR, AAC, ACSS and copper conductors as well as a range of cables
- Locking loop handles allow the jaws to be held in an open position for easy placement on wire or cable

Model	Dimensions inches (mm)			Breaking load lbf (kN)	Max working load* lbf (kN)	Mass lbs (kg)	Use		Diameter range inches (mm) D
	A	B	C				Steel rope	Conductor interchangeable jaws	
21004070	-	-	-	14,388 (64)	4,721 (21)	5.51 (2.5)	no	yes	0.28-0.63 (7-16)
21004060	3 ⁵ / ₃₂ (80)	8 ⁷ / ₃₂ (225)	15 ³ / ₃₂ (380)	28,101 (125)	9,442 (42)	15.43 (7)	no	yes	0.55-0.91 (14-23)
21004030	3 ¹ / ₁₆ (100)	11 ¹ / ₁₆ (300)	21 ¹ / ₁₆ (535)	50,582 (225)	16,861 (75)	33.07 (15)	no	yes	0.90-1.30 (22.8-33)
21004038	4 ¹ / ₂ (114)	13 ² / ₃₂ (353)	23 ² / ₃₂ (604)	62,947 (280)	20,907 (93)	42.99 (19.5)	no	yes	1.26-1.81 (32-46)

*Max safe working load may change according to local safety factor standards

INTERCHANGEABLE JAWS FOR MOT CLAMPS

Clamp Model	Jaws Model	D inches (mm)	Use
21004070	21004070-007	0.28-0.39 (7-10)	Aluminum conductor
	21004070-010	0.39-0.51 (10-13)	Aluminum conductor
	21004070-013	0.51-0.63 (13-16)	Aluminum conductor
21004060	21004060-014	0.55-0.67 (14-17)	Aluminum conductor
	21004060-017	0.67-0.79 (17-20)	Aluminum conductor
	21004060-020	0.79-0.91 (20-23)	Aluminum conductor
	21004061-OPGW	0.24-0.91 (06-23)	OPGW
21004030	21004032-026	0.90-1.02 (22.8-26)	Aluminum conductor
	21004032-029	1.02-1.14 (26-29)	Aluminum conductor
	21004032-032	1.14-1.26 (29-32)	Aluminum conductor
	21004032-033	1.18-1.30 (30-33)	Aluminum conductor
21004038	21004038-34	1.26-1.38 (32-35)	Aluminum conductor
	21004038-37	1.38-1.50 (35-38)	Aluminum conductor
	21004038-40	1.50-1.61 (38-41)	Aluminum conductor
	21004038-43	1.61-1.73 (41-44)	Aluminum conductor
	21004038-46	1.73-1.81 (44-46)	Aluminum conductor

Warning: it is strictly forbidden to use jaws of different manufacturer.

OPTICAL GROUND WIRE CLAMPS

- Constructed of high strength heat forged steel, galvanized for toughness, strength and corrosion resistance
- Clamps feature a full range of interchangeable liners to be inserted between the upper and lower jaws of the clamp
 - Lower liner - Polyurethane (provides cushioning for the optical cable)
 - Upper liner - aluminum
- Suitable for OPGW sizes ranging from .236 to .906 inches (6 to 23mm)
- Jaws and liner inserts are round to provide maximum contact and gripping power
- Locking loop handles allow the jaws to be held in an open position for easy placement on OPGW

