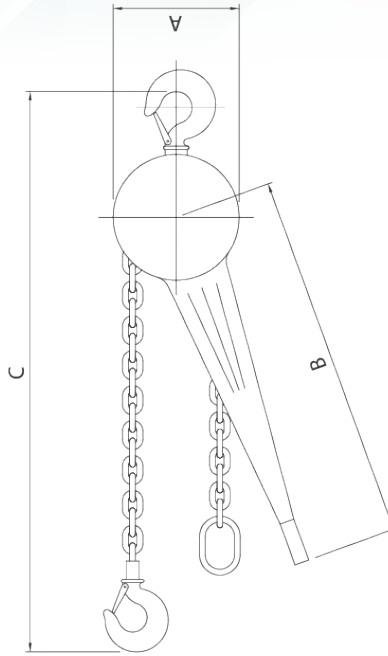


PAX Lifting Hoist

LIFTING HOIST - PAX

The lifting hoists are made of steel and are equipped with a mechanical brake. They are designed to facilitate and accelerate chain-positioning operations.

Chains with different lengths are available upon request.



Model	Dimensions inches (mm)			Chain length ft (m)	Required pulling force at full load lbf (kN)	Capacity lbf (kN)	Mass lbs (kg)
	A	B	C min				
21008100	6 (153)	11 ¹³ / ₃₂ (290)	11 ¹⁵ / ₁₆ (303)	4.9 (1.5)	45 (0.2)	1,686 (7.5)	15 (7)
21008110	6 (153)	11 ¹³ / ₃₂ (290)	11 ¹⁵ / ₁₆ (303)	9.8 (3)	45 (0.2)	1,686 (7.5)	20 (9)
21008120	6 (153)	11 ¹³ / ₃₂ (290)	11 ¹⁵ / ₁₆ (303)	19.7 (6)	45 (0.2)	1,686 (7.5)	31 (14)
21008200	6 ⁹ / ₃₂ (160)	16 ⁵ / ₃₂ (410)	14 ³ / ₈ (365)	4.9 (1.5)	47 (0.21)	3,372 (15)	24 (11)
21008210	6 ⁹ / ₃₂ (160)	16 ⁵ / ₃₂ (410)	14 ³ / ₈ (365)	9.8 (3)	47 (0.21)	3,372 (15)	31 (14)
21008220	6 ⁹ / ₃₂ (160)	16 ⁵ / ₃₂ (410)	14 ³ / ₈ (365)	19.7 (6)	47 (0.21)	3,372 (15)	44 (20)
21008300	7 ¹ / ₄ (185)	16 ⁵ / ₃₂ (410)	19 ⁹ / ₃₂ (485)	4.9 (1.5)	74 (0.33)	6,744 (30)	44 (20)
21008310	7 ¹ / ₄ (185)	16 ⁵ / ₃₂ (410)	19 ⁹ / ₃₂ (485)	9.8 (3)	74 (0.33)	6,744 (30)	60 (27)
21008320	7 ¹ / ₄ (185)	16 ⁵ / ₃₂ (410)	19 ⁹ / ₃₂ (485)	19.7 (6)	74 (0.33)	6,744 (30)	93 (42)
21008400	9 ¹ / ₁₆ (230)	16 ⁵ / ₃₂ (410)	23 ⁵ / ₈ (600)	4.9 (1.5)	79 (0.35)	13,489 (60)	66 (30)
21008410	9 ¹ / ₁₆ (230)	16 ⁵ / ₃₂ (410)	23 ⁵ / ₈ (600)	9.8 (3)	79 (0.35)	13,489 (60)	82 (37)
21008420	9 ¹ / ₁₆ (230)	16 ⁵ / ₃₂ (410)	23 ⁵ / ₈ (600)	19.7 (6)	79 (0.35)	13,489 (60)	115 (52)

