

PRT Hydraulic Presses

The hydraulic presses, mainly implemented in press forged steel, have the following characteristics:

- Excellent ratio weight/power
- Very short pressing cycle (all the presses have an hydraulically-driven piston release)
- Each power unit or manual hydraulic pump (and hoses) is interchangeable with any hydraulic press

21005140



21005120



21005000



Manual Pump
21005220

Hydraulic Power Units
21005200 Gas
21005210 Elec

Model	Piston return	Max compression force lbf (kN)	Max pressure PSI (bar)	Max hexagon "ch"	Max hexagon "ch"	Max stroke inches (mm)	Press mass lbs (kg)	Die mass lbs (kg)	Dimensions (b x l x h)
				for steel inches (mm)	for aluminum inches (mm)				inches (mm)
21005140	Hydraulic	224,810 (1,000)	10,153 (700)	1 1/8	3 3/8	1 1/2	77 (35)	4 (2)	18 7/8 (480)
									10 1/2 (255)
									15 15/16 (405)
21005000	Hydraulic	269,770 (1,200)	10,153 (700)	1 3/8	2 1/2	1 11/32	115 (52)	4 (2)	20 1/2 (520)
									11 1/16 (280)
									17 3/4 (450)
21005120	Hydraulic	413,648 (1,840)	10,153 (700)	2 1/8	3 9/16	1 3/4	320 (145)	12 (5.5)	23 5/8 (600)
									16 15/16 (430)
									23 3/8 (600)

HYDRAULIC POWER UNITS MOD. CPP

Model	Engine	Power hp (kW)	Max pressure PSI (bar)	Max delivery gallon/min (l/min.)	Tank capacity gallon (l)	Mass lbs (kg)	Dimensions (b x l x h) inches (mm)
21005200	Gasoline	6 (4.5)	10,153 (700)	0.48 (1.8)	2.6 (10)	119 (54)	20 7/8 (530)
							13 3/8 (340)
							15 5/16 (370)
21005210	Electrical 220V-50Hz	3 (2.2)	10,153 (700)	0.48 (1.8)	2.6 (10)	110 (50)	20 7/8 (530)
							13 3/8 (340)
							14 9/16 (370)

Note: the performance is calculated at 68° F (20°C) and at sea level

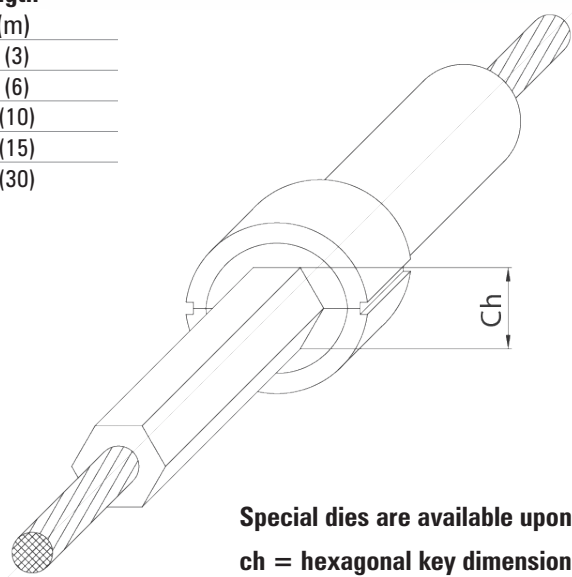
MANUAL PUMP MOD. PDP001

Model	Max pressure PSI (bar)	Delivery in ³ / cycle (cm ³ / cycle)		Capacity gallon (l)	Mass without oil lbs (kg)	Dimensions (b x l x h)
		1 st stage	2 nd stage			inches (mm)
21005220	10,153 (700)	0.82 (13.5)	0.17 (2.8)	0.53 (2.0)	18.7 (8.5)	21 5/8 (550)
						6 5/8 (160)
						6 1/16 (170)

PRT Accessories for Hydraulic Presses

KIT OF CONNECTING HOSES MOD. TUP

Model	Length
	ft (m)
21005305	10 (3)
21005300	20 (6)
21005310	33 (10)
21005315	49 (15)
21005320	98 (30)



Special dies are available upon request
ch = hexagonal key dimension to be specified

DIES FOR CONDUCTORS MOD. PDM

Press Model	Joint material	Die model	
		Hexagonal	Circular
21005140 224,810 lbf (1,000 kN)	Steel	21005472	-
	Aluminum	21005474	-
	Almelec	21005476	-
	Copper	210054XX	-
21005000 269,771 lbf (1,200 kN)	Steel	21005472	PDM048
	Aluminum	21005474	PDM049
	Almelec	21005476	-
21005120 413,648 lbf (1,840 kN)	Steel	21005466	PDM054
	Aluminum	21005468	PDM055
	Almelec	21005470	-

DIES FOR COUPLING MOD. PDM

Model	Dies
21005140	21005450
21005000	21005450
21005120	21005455

STRAIGHTENING JOINT DEVICES MOD. PDR

Model	Straightening joint device model
PRT51011 224,810 lbf (1,000 kN)	21005435
21005000 269,771 lbf (1,200 kN)	21005435
21005120 413,648 lbf (1,840 kN)	21005445

