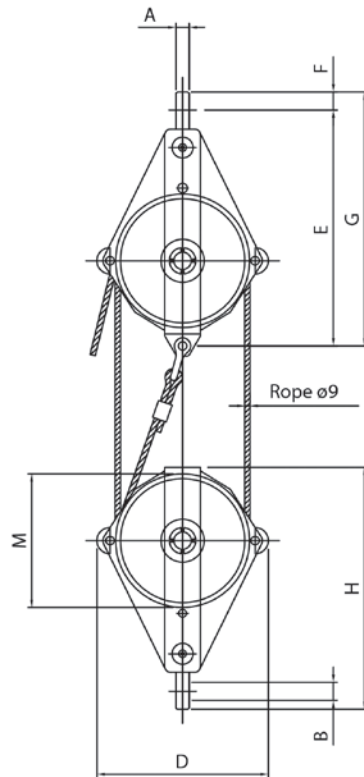
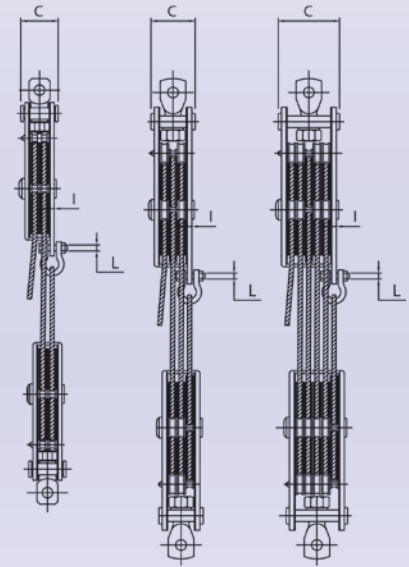


TAP Lifting Tackles



LIFTING TACKLES - TAP

The lifting tackles are suitable for Ø .35 in (9 mm) steel ropes; the wheels are mounted on ball bearings. The frame is made of galvanized steel. Rope and swivel joint not included.



Model	Dimensions inches (mm)											Breaking load lbf (kN)	Mass lbs (kg)
	A	B	C	D	E	F	G	H	I	L	M		
21008075	7/8 (22)	25/32 (20)	2 3/4 (67)	9 1/2 (242)	13 1/8 (333)	2 5/32 (20)	13 3/8 (353)	13 1/2 (331)	5/16 (8)	1 3/32 (10.5)	7 1/16 (180)	33,721 (150)	37 (17)
21008080	7/8 (22)	29/32 (23)	3 1/32 (85)	11 9/16 (294)	14 3/32 (380)	1 1/8 (28)	16 1/16 (408)	15 3/16 (386)	3/8 (10)	5/8 (16)	7 1/16 (180)	56,202 (250)	60 (27)
21008085	7/8 (22)	1 (26)	4 3/4 (120)	11 9/16 (294)	15 19/16 (405)	1 3/8 (35)	17 9/16 (440)	16 3/8 (415)	3/8 (10)	1 3/32 (10.5)	7 1/16 (180)	89,924 (400)	93 (42)

Suitable rope
Mod. FUZ009 diameter .35 in (9 mm)
Suitable swivel Model 21000305

