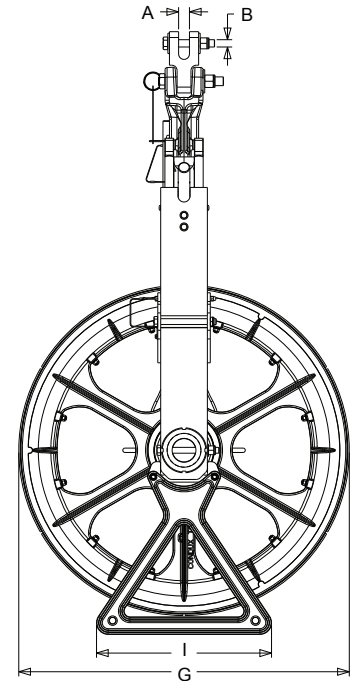
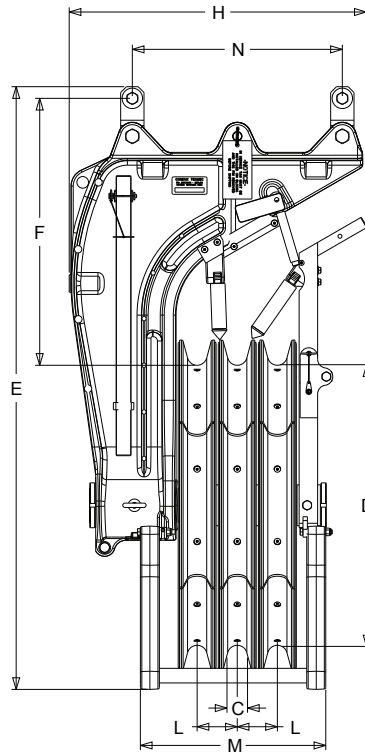
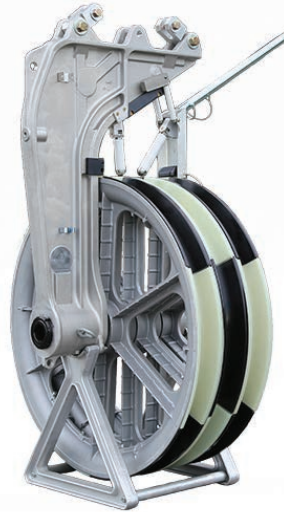


3-Bundled Helicopter Blocks

The Condux Tesmec narrow profile block is designed for stringing two or three bundled conductors. Manufactured from aircraft grade heat treated aluminum (A356.01-T6) that provides a lightweight and high strength design. The one-piece cast aluminum frame is over 25% lighter, is stronger and less likely to break compared to blocks utilizing welded extruded frames. The counterweight fly gate design allows for quicker and more secure rope installs and offers a unique hinge for safer and more efficient cable removal during clipping operation. Field replaceable nylon sectors are standard and last longer than conventional neoprene or urethane linings saving you time and money. Special V-Groove profile urethane sectors for the installation of Twisted Pair Conductors, commonly referred to as T2® or VR2® are also available.



TWO OR THREE BUNDLED CONDUCTORS BLOCKS

Model Nylatron	Dimensions inches (mm)											Breaking load lbf (kN)	Mass lbs (kg)	
	A	B	C	D	E	F	G	H	I	L	M			N
21033400	$\frac{15}{16}$ (24)	$\frac{5}{8}$ (16)	$1\frac{3}{4}$ (45)	24 (610)	$51\frac{21}{32}$ (1,312)	$22\frac{7}{8}$ (581)	$28\frac{1}{2}$ (720)	$25\frac{7}{16}$ (646)	15 (381)	$3\frac{3}{16}$ (87)	$15\frac{29}{32}$ (404)	18 (457)	60,000 (270)	225 (102)
21034700	$\frac{15}{16}$ (24)	$\frac{5}{8}$ (16)	$2\frac{1}{8}$ (54)	32 (813)	$60\frac{9}{32}$ (1,531)	$23\frac{1}{4}$ (591)	$36\frac{13}{16}$ (935)	$27\frac{29}{32}$ (709)	$20\frac{1}{16}$ (526)	$4\frac{1}{16}$ (103)	$17\frac{27}{32}$ (453)	18 (457)	60,000 (270)	305 (138)

3-Bundled Helicopter Blocks



CHARACTERISTICS	28 IN (720 MM) BLOCK	36 IN (935 MM) BLOCK
Sheave Diameter	28 ¹¹ / ₃₂ in (720 mm)	36 ¹³ / ₁₆ in (935 mm)
Sheave, Bottom of the groove diameter	24 in (610 mm)	32 in (813 mm)
Rated Break Load	60,000 lbf (267 kN)	60,000 lbf (267 kN)
Weight	225 lbs (102 kg)	305 lbs (138 kg)
Sector Material	IEEE Nylon	IEEE Nylon or Polyurethane for T2/VR2

PART NUMBER 28 IN (720 MM) BLOCK

21033400	28 in 3-Bundle Helicopter Block w/ Nylon Sectors
21033400P	Qty 3, 28 in Blocks with a Transport Pallet
21034150	2 or 3 Conductor Headboard for 28 in Blocks
21033402	Ground for 28 in 3-Bundle Helicopter Block

PART NUMBER 36 IN (935 MM) BLOCK

21034700	36 in 3-Bundle Helicopter Block w/ Nylon Sectors
21034865	36 in 3-Bundle Helicopter Block w/ V-Groove Polyurethane Sector for T2/VR2
21034700P	Qty 3, 36 in Blocks with a Transport Pallet
21034760	2 or 3 Conductor Headboard for 36 in Blocks
21034740	Ground for 36 in 3-Bundle Helicopter Block