

PL1750 HYDRAULIC PULLER

Advanced Design Features & Superior Pulling Performance

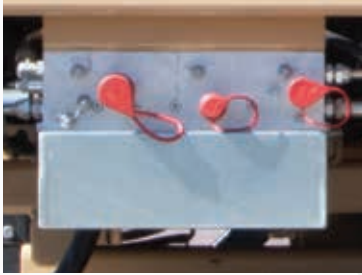
The Condux Tesmec line of pullers offers industry leading features like negative self-acting hydraulic brakes, integrated hydraulic dynamometers, hydraulic cooling systems, advanced user controls and more.

Condux Tesmec pullers are designed to improve job site safety, while adding productivity and efficiency to every job.



ISO 9001:2015
CERTIFIED

PL1750 HYDRAULIC PULLER



EXTERNAL REEL WINDER CONNECTIONS

External hydraulic ports for use of a RW or URW reel winder. Pressure controlled by the remote control or HMI screen.



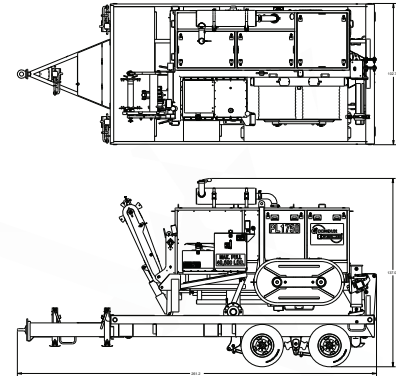
NEW DIGITAL HMI

The 7-inch color display indicates machine working parameters, maintenance records and has integrated pull and speed recorder.



REMOTE CONTROL

The radio remote control provides total user machine control while integrating with the new digital user interface.



GENERAL SPECIFICATIONS:

PERFORMANCE

Max pull	45,000 lbf (180 kN)
Speed at max pull	1.5 mph (2.5 km/h)
Max speed	2.8 mph (4.5 km/h)
Pull at max speed	23,605 lbf (105 kN)

CHARACTERISTICS

Bull-wheel diameter	27 ³⁵ / ₆₄ in (700 mm)
Max rope diameter	1 ³ / ₃₂ in (28 mm)
Weight (without rope)	15,873 lbs (7,200 kg)

ENGINE

Diesel - Tier4f	281 hp (210 kW)
Cooling system	liquid
Electrical system	24 V
Emission Level	tier4f/stage IV

HYDRAULIC TRANSMISSION

Closed hydraulic circuit for stepless speed variation in both rotating directions.

STANDARD EQUIPMENT

New digital HMI Provided with:

- Color 7-in. display.
- Integrated pull and speed recorder.

Radio remote control

Aux hydraulic connections for external reel winder

Steel enclosure with lockable doors

Rope clamp for reel change

Negative self-acting hydraulic brake

Remote Diagnostic with GPS Data Recorder

Grounding connection point

Hydraulic front and rear stabilizers

On board automatic reel winder with level wind, It accommodates a BOF010, BOF020, or BOF030

Reel shaft AXR001

Automatic greaser

OPTIONAL EQUIPMENT

- AXA234** Underground adapter
- ALL089** Electronic connection and synchronization between machines
- ALL261** External Printer
- AXR002** Extra shaft
- ALL037** Preheating device for use up to -22°F (-30°C)

CONDUX | TESMEC



Note: the basic machine performance is calculated at 68°F (20°C) and at sea level.

The latest issue of the Condux Tesmec Stringing Equipment & Accessories Catalog includes comprehensive product information specific for stringing applications in the transmission and distribution industries.



145 Kingswood Drive • Suite 1 • PO Box 668
Mankato, MN 56002-0668 U.S.A.
1-888-980-1209 Toll Free Phone (U.S. & Canada)
1-507-387-8069 Phone
info@conduxtesmec.com • www.conduxtesmec.com